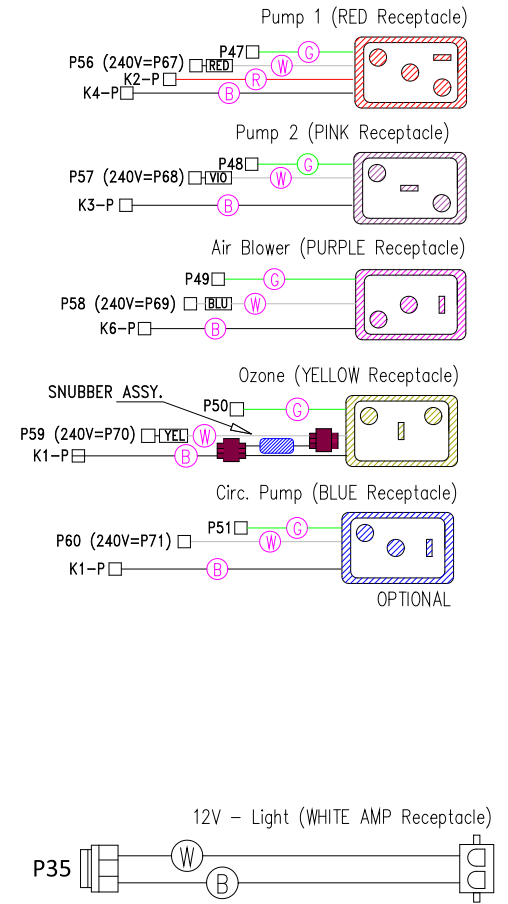
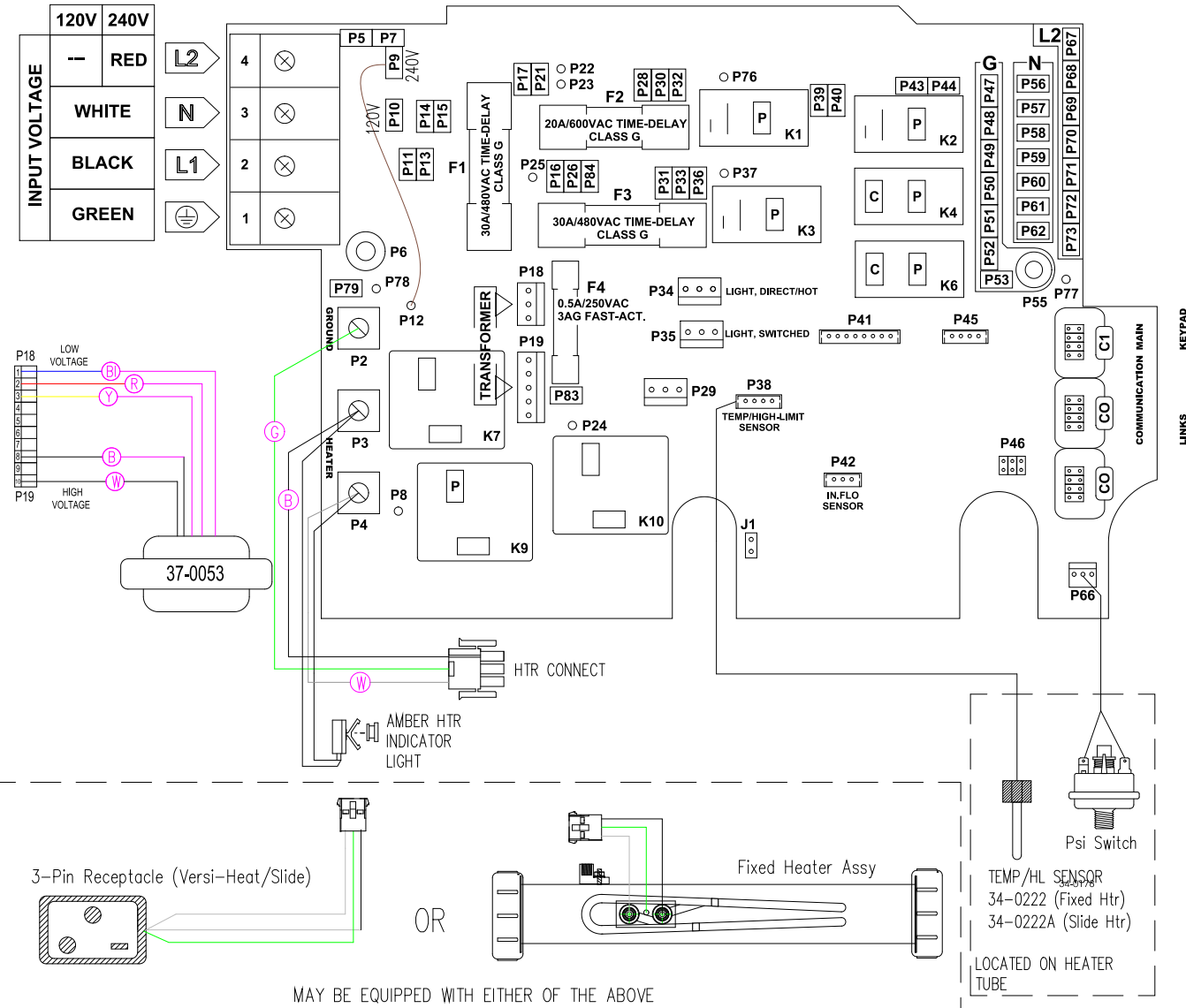


TO CONVERT CIRCUIT 120V OR 240V MOVE WHITE WIRE ACCORDINGLY  
 120V COMPONENT = OPEN POSITION AT CONNECTION BLOCK "N"  
 240V COMPONENT = OPEN POSITION AT CONNECTION BLOCK "L2"

33-0045A



System Setup Options (see manual to access these settings):  
 Setup #10: System without Circulation Pump  
 Setup #11: System with 24hr Circulation Pump  
 Setup #12: System with Thermostatic/Filtration Circulation Pump

**HYDRO-QUIP**  
 CORONA, CA (951) 273-7575

Manufacture Notes:

A disconnect means must be installed within sight from the equipment and at least five feet (1.52m) from the inside walls of pool, spa, or hot tub.

Drawn MBS	Rev 02	Wire Color Code B - Black G - Green Br - Brown Bl - Blue R - Red V - Violet O - Orange W - White Y - Yellow Gr - Gray
Date 12.13.17		
Diagram No. 9123		