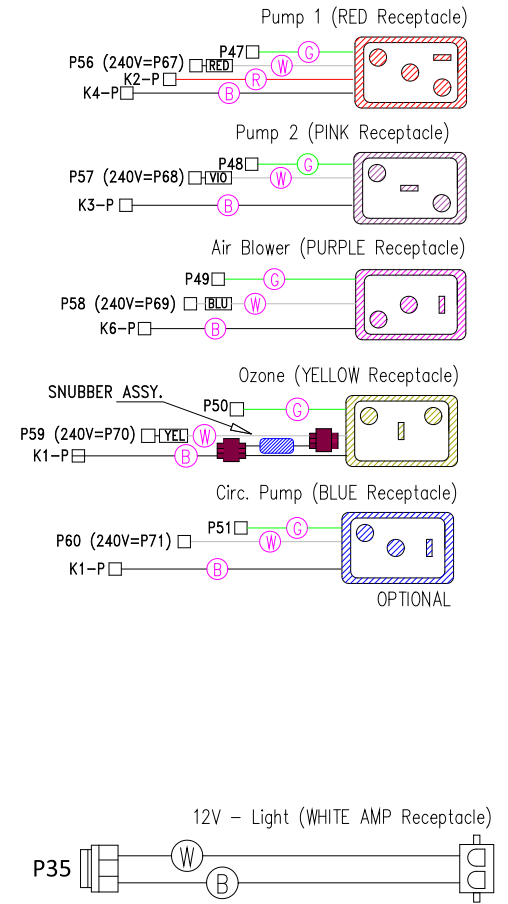
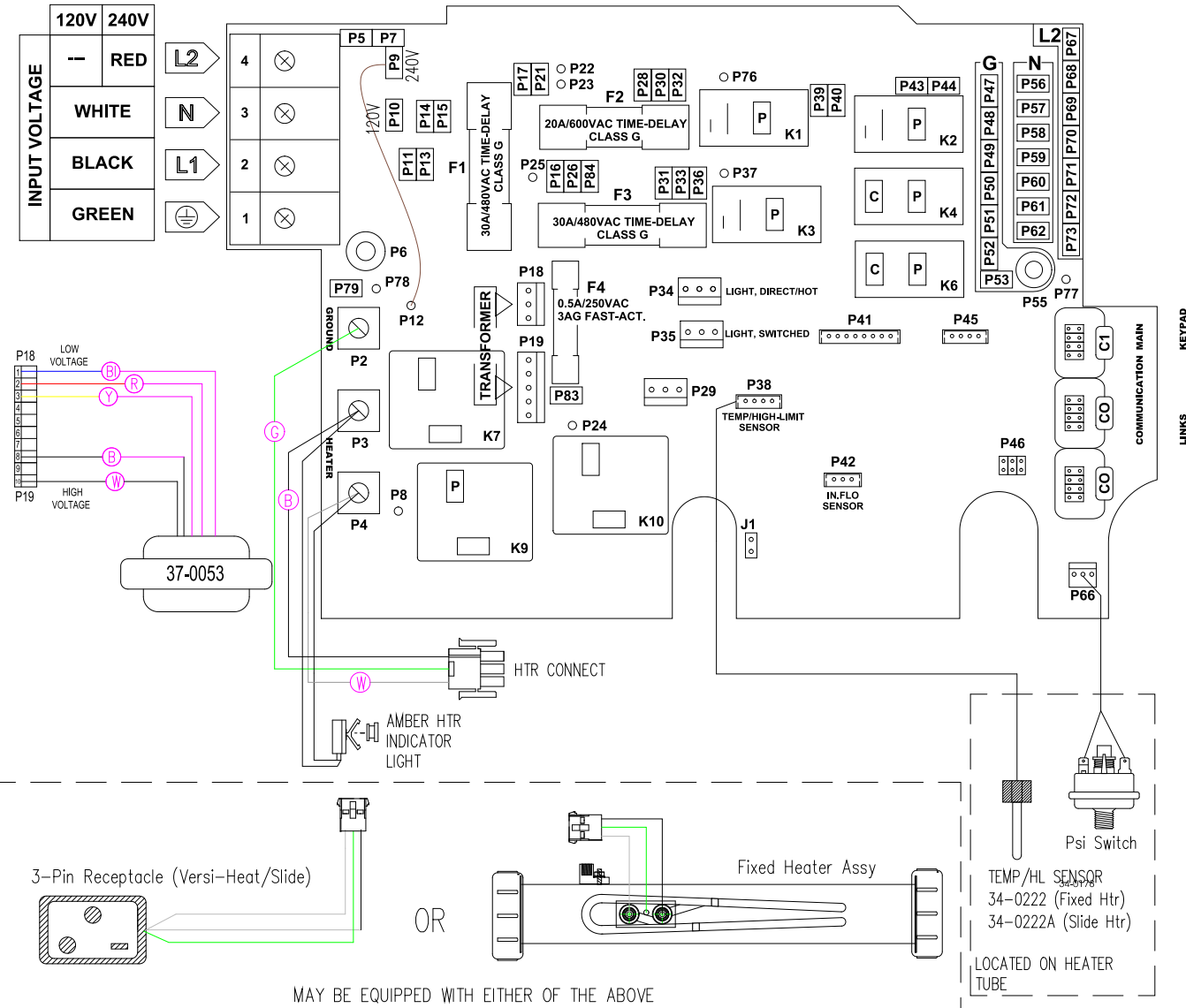


TO CONVERT CIRCUIT 120V OR 240V MOVE WHITE WIRE ACCORDINGLY
 120V COMPONENT = OPEN POSITION AT CONNECTION BLOCK "N"
 240V COMPONENT = OPEN POSITION AT CONNECTION BLOCK "L2"

33-0045A



System Setup Options (see manual to access these settings):
 Setup #10: System without Circulation Pump
 Setup #11: System with 24hr Circulation Pump
 Setup #12: System with Thermostatic/Filtration Circulation Pump

HYDRO-QUIP
 CORONA, CA (951) 273-7575

Manufacture Notes:

A disconnect means must be installed within sight from the equipment and at least five feet (1.52m) from the inside walls of pool, spa, or hot tub.

| | | |
|---------------------|-----------|--|
| Drawn MBS | Rev 02 | Wire Color Code B - Black G - Green Br - Brown Bl - Blue R - Red V - Violet O - Orange W - White Y - Yellow Gr - Gray |
| Date 12.13.17 | | |
| Diagram No. 9123 | | |