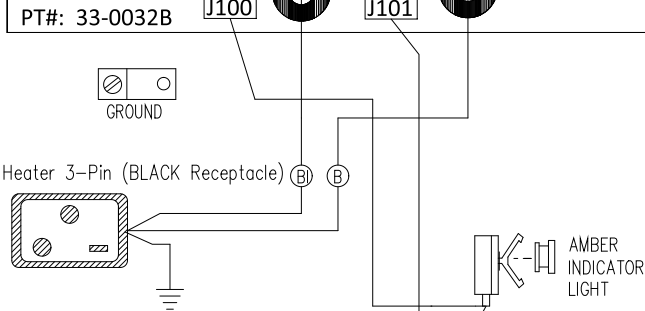


NOTE: SENSORS SUPPLIED WITH HEATER ASSY



LEGEND	
	- 1/4" QUICK CONNECT
	- 1/4" QUICK CONNECT PIGGYBACK
	- FORK CONNECTOR
	- RING CONNECTOR
	- SOCKET CONNECTOR
	- PIN CONNECTOR

HYDRO-QUIP
CORONA, CA (951) 273-7575

Manufacture Notes:
#1 Line 2 and Neutral need to be jumpered for 120V operation.

Drawn	MBS	Rev	02
Date	07.31.12		
Diagram No.	9024		
Wire Color Code			
B - Black	G - Green		
Br - Brown	Bl - Blue		
R - Red	V - Violet		
O - Orange	W - White		
Y - Yellow	Gr - Gray		