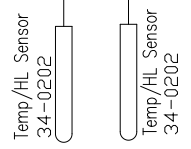
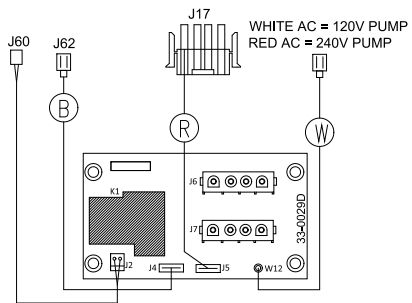
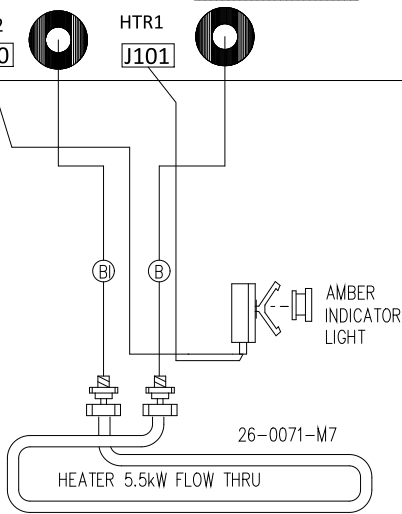


PT#: 33-0032C



LEGEND	
	- 1/4" QUICK CONNECT
	- 1/4" QUICK CONNECT PIGGYBACK
	- FORK CONNECTOR
	- RING CONNECTOR
	- SOCKET CONNECTOR
	- PIN CONNECTOR

**HYDRO-QUIP**  
CORONA, CA (951) 273-7575

Manufacture Notes:

#1 Line 2 and Neutral need to be jumpered for 120V operation.

Drawn	MBS	Rev	01
Date	05.02.12		
Diagram No.	9004		
Wire Color Code			
B - Black	G - Green	Br - Brown	Bl - Blue
R - Red	V - Violet	O - Orange	W - White
Y - Yellow	Gr - Gray		