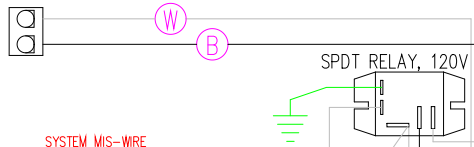


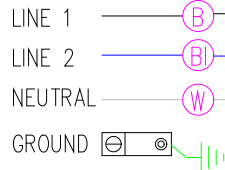
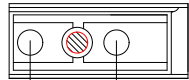
LIGHT RECEPT.
"WHITE 2-PIN" AMP



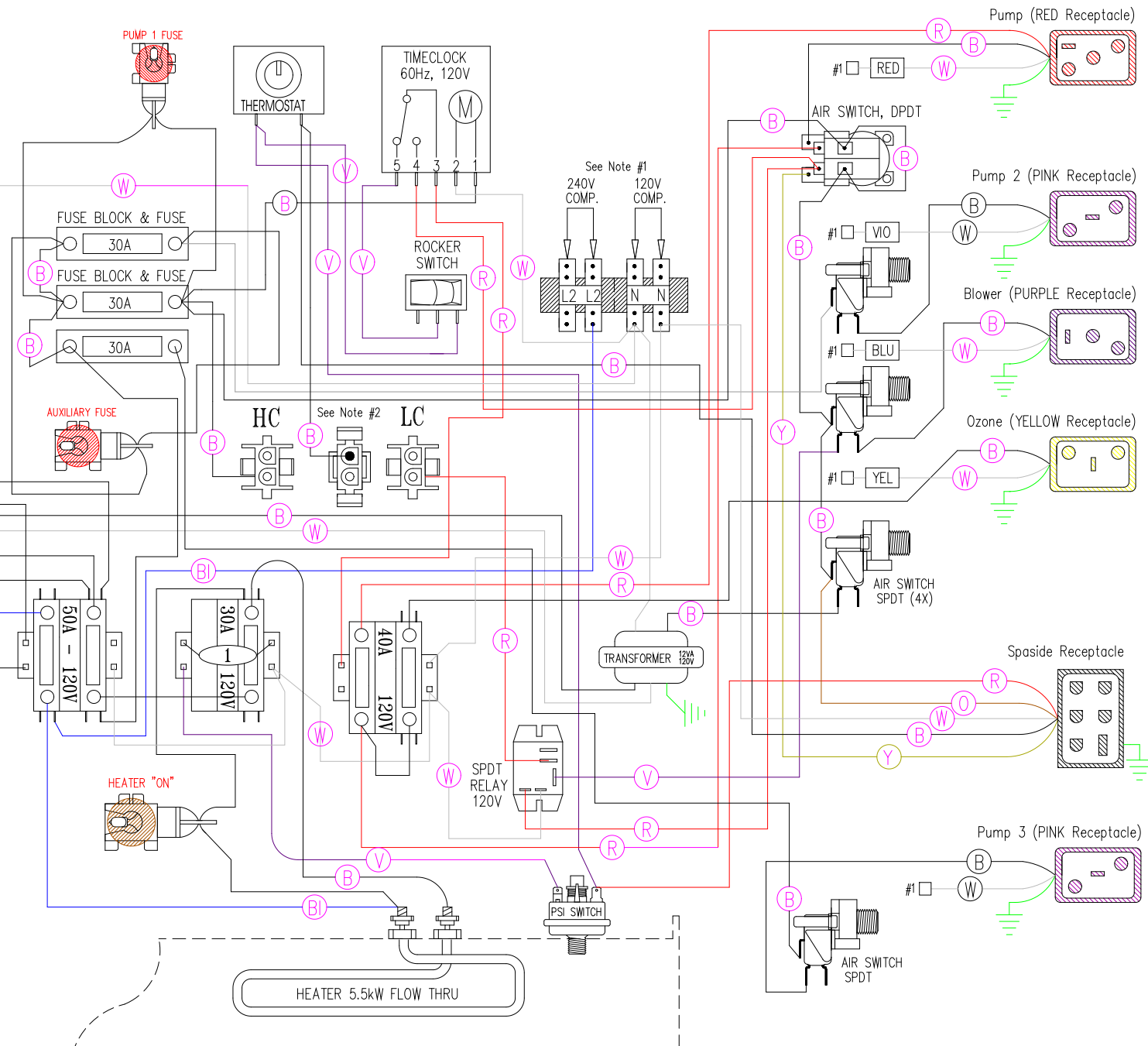
SYSTEM MIS-WIRE

HIGH-LIMIT TRIPPED

HIGH-LIMIT



PART NUMBER	DESCRIPTION	QTY
26-0071	HEATER, 5.5kW FLOW THRU	1
34-0002	SWITCH, AIR - SPDT	3
34-0012	HIGH LIMIT, 5/16" BULB	1
34-0020	SWITCH, ROCKER - SPDT	1
34-0030	THERMOSTAT, 5/16" BULB - 24" CAP	1
34-0033	TIMER, 24HR, 120V/60Hz - STD	1
34-0059	SWITCH, AIR - DPDT	1
34-0178	SWITCH, PRESSURE - 1AMP	1
35-0002	RELAY, SPDT, 15A, 120V, T-91	2
35-0012	CONTACTOR, DPST, 30/40A, 120V	1
35-0014	CONTACTOR, DPST, 50A, 120V	1
35-0025	CONTACTOR, SPST, 30A, 120V	1
37-0002	TRANSFORMER, LIGHT, 12VA-120V, 1AMP	1



#1 - Universal System, connecting the White/Component receptacle wire to the corresponding position on the Universal Terminal Block determines component voltage.
#2 - Low Current (heater off w/high-speed pump or blower) or High Current (no heater restriction)

Dwg. No.	506G0-DKS5	Drawn	MBS	Rev	1	Wire Color Code B - Black G - Green Br - Brown BI - Blue R - Red V - Violet O - Orange W - White Y - Yellow Gr - Gray
Date	09.10.08	Diagram No.	7026SPL			