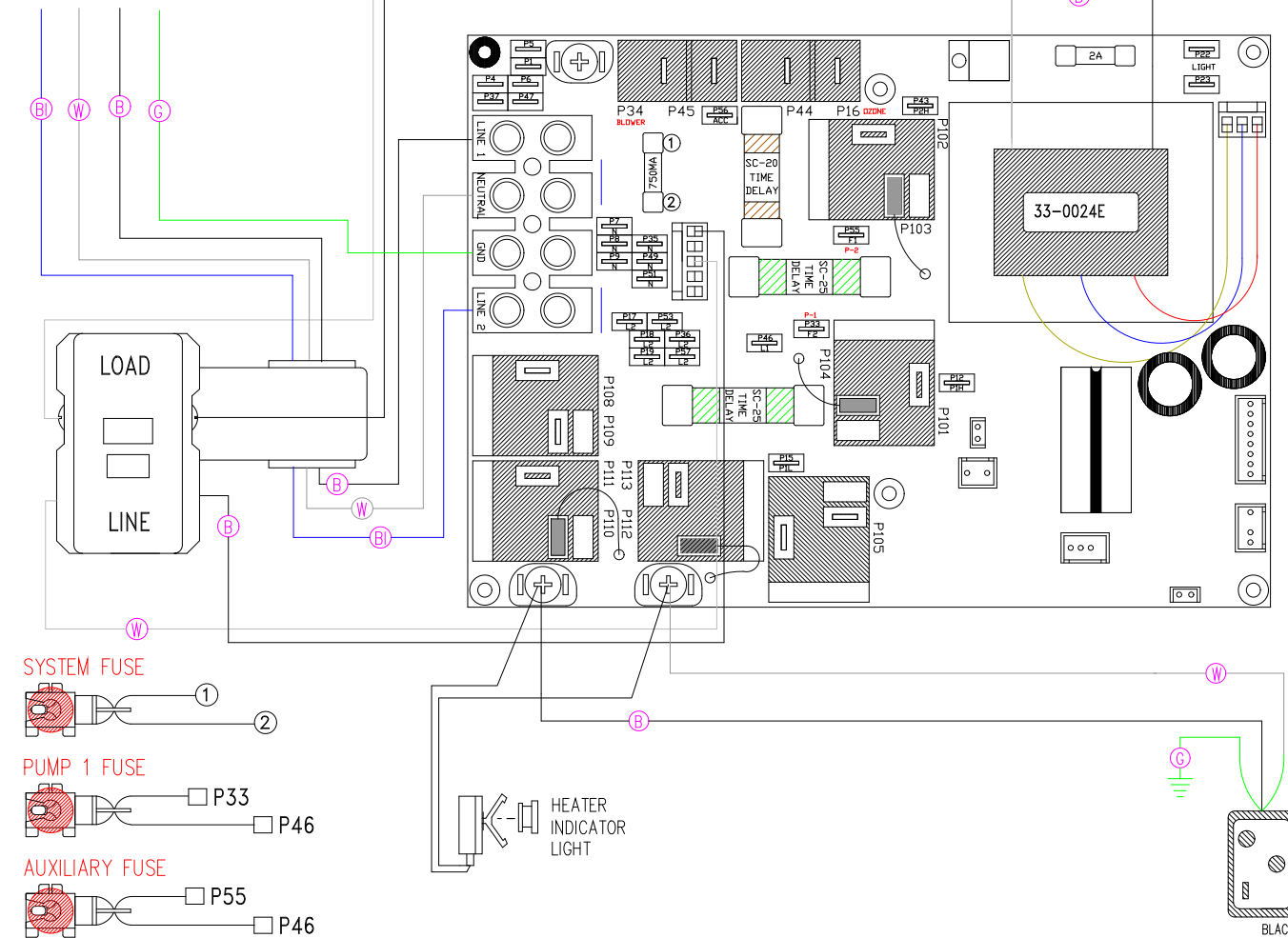
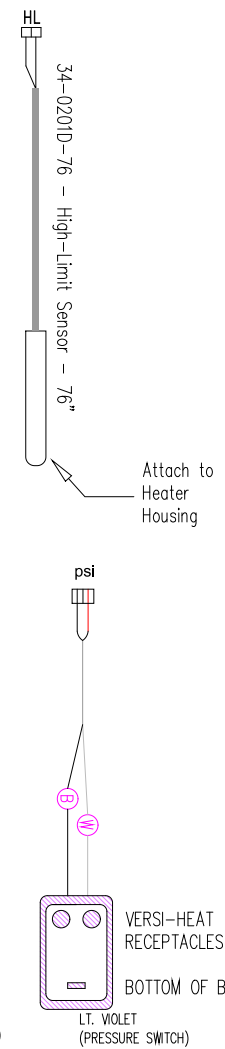
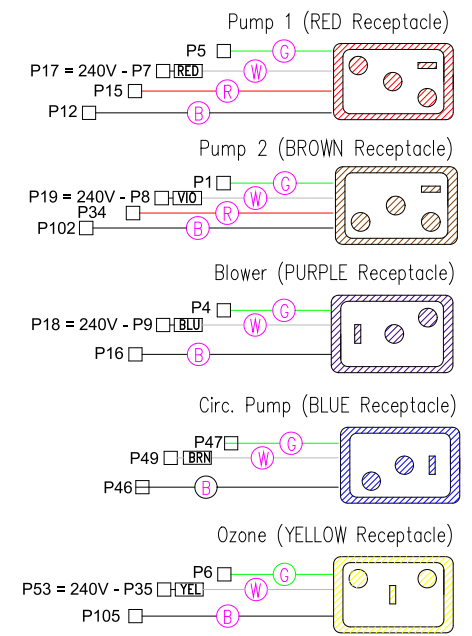
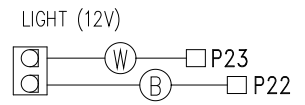
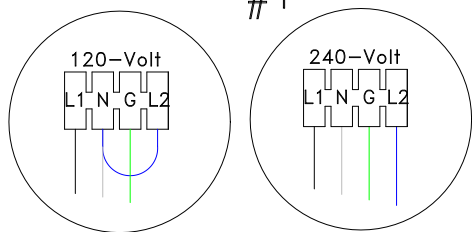


MAIN POWER CONNECTION

L2 N L1 G



#1



LEGEND	
	- 1/4" QUICK CONNECT
	- 1/4" QUICK CONNECT PIGGYBACK
	- FORK CONNECTOR
	- RING CONNECTOR
	- SOCKET CONNECTOR
	- PIN CONNECTOR

HYDRO-QUIP
CORONA, CA (951) 273-7575

Manufacture Notes:

#1 - Line 2 and Neutral need to be jumpered for 120V operation.

Drawn	MBS	Rev	01
Date	08.05.09		
Diagram No.	6839		
Wire Color Code			
B - Black	G - Green	Bl - Blue	V - Violet
Br - Brown	W - White	O - Orange	Gr - Gray
R - Red			