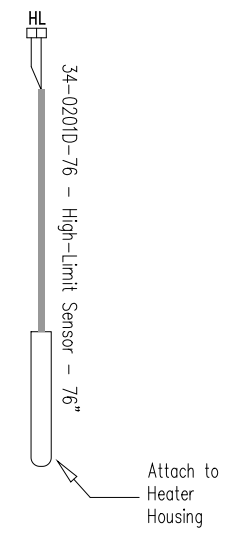
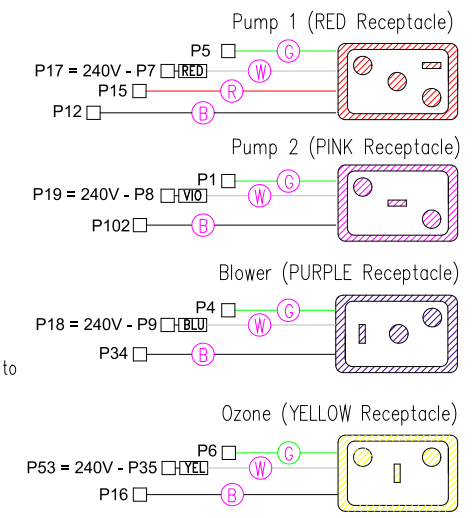
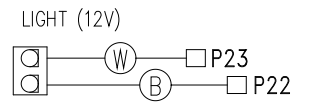
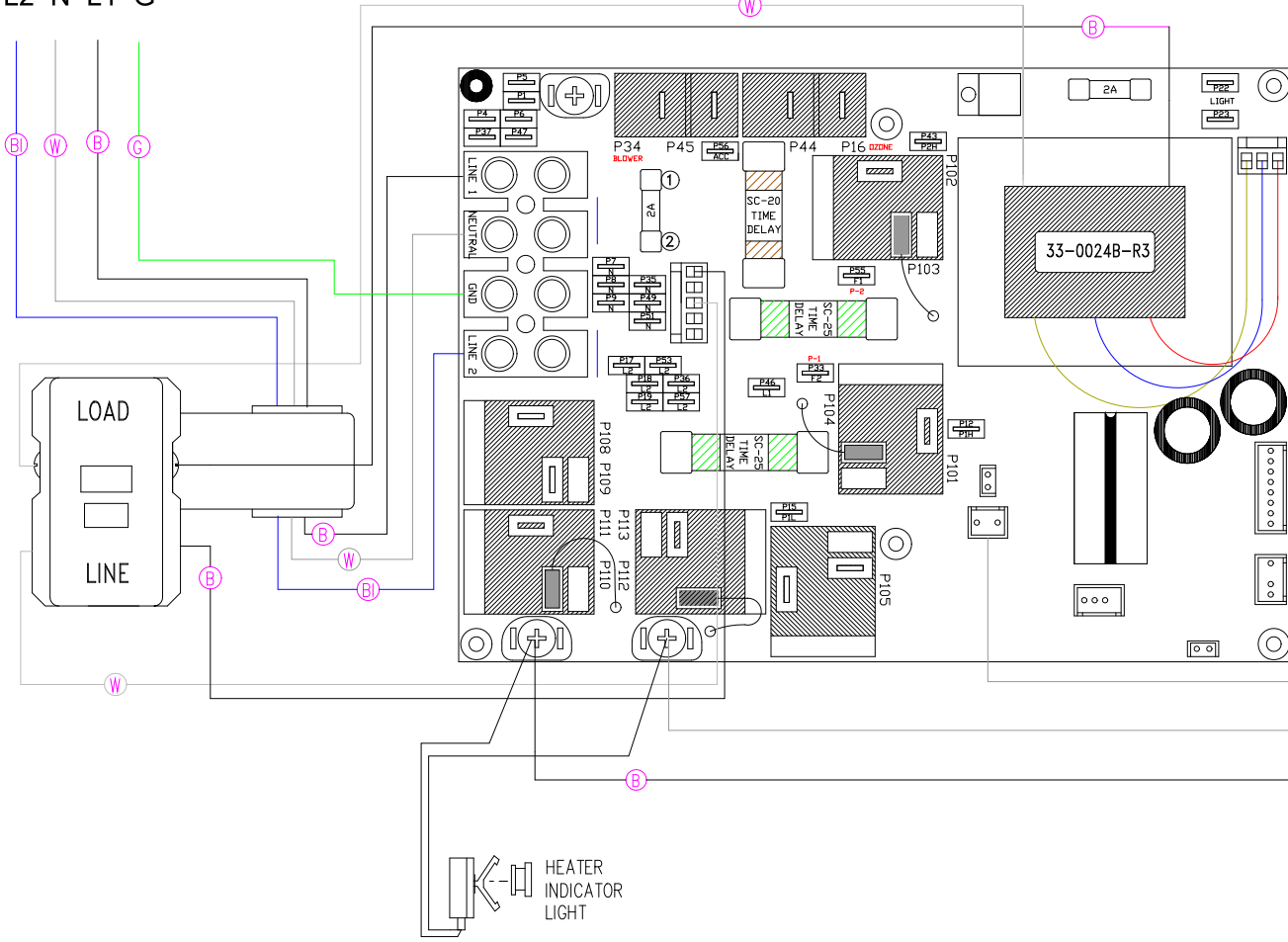
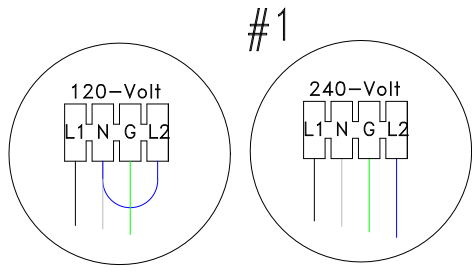
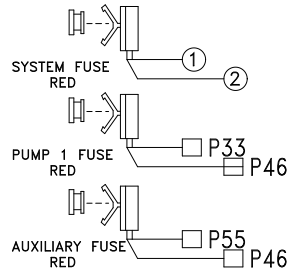


# MAIN POWER CONNECTION

L2 N L1 G



LEGEND	
	- 1/4" QUICK CONNECT
	- 1/4" QUICK CONNECT PIGGYBACK
	- FORK CONNECTOR
	- RING CONNECTOR
	- SOCKET CONNECTOR
	- PIN CONNECTOR

**HYDRO-QUIP**  
CORONA, CA (951) 273-7575

**Manufacture Notes:**

#1 - Line 2 and Neutral need to be jumpered for 120V operation.

Drawn	MBS	Rev	01
Date	11.24.08		
Diagram No.	6827		
<b>Wire Color Code</b>			
B - Black	G - Green		
Br - Brown	Bl - Blue		
R - Red	V - Violet		
O - Orange	W - White		
Y - Yellow	Gr - Gray		