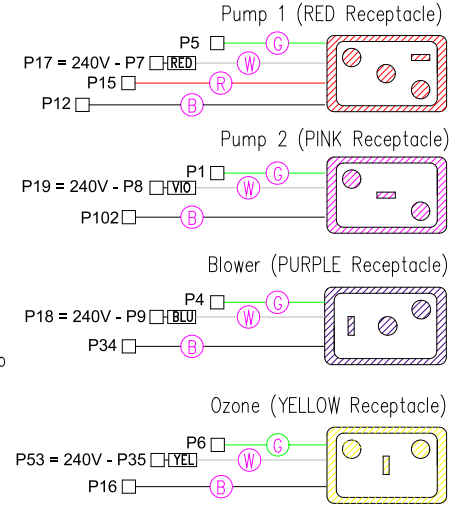
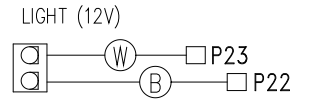
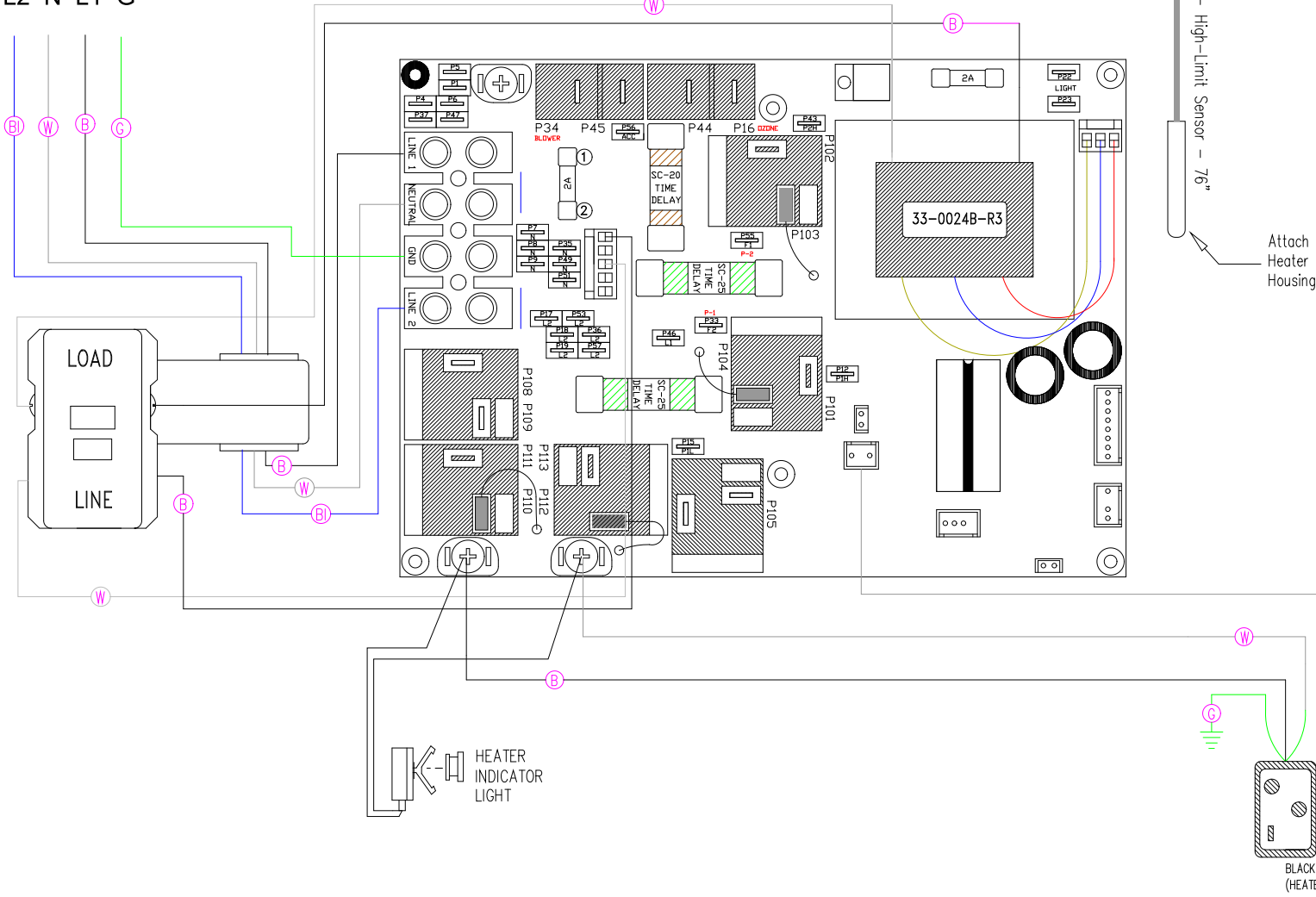
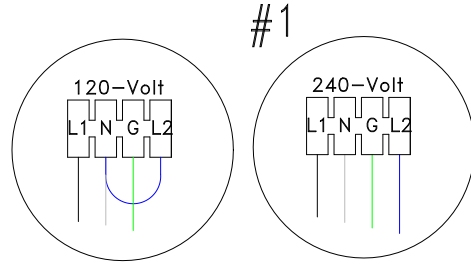
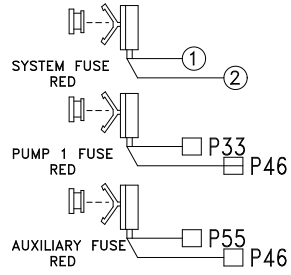


**MAIN POWER CONNECTION**

L2 N L1 G



34-0201D-76 - High-Limit Sensor - 76"  
Attach to Heater Housing

LEGEND	
[Symbol]	- 1/4" QUICK CONNECT
[Symbol]	- 1/4" QUICK CONNECT PIGGYBACK
[Symbol]	- FORK CONNECTOR
[Symbol]	- RING CONNECTOR
[Symbol]	- SOCKET CONNECTOR
[Symbol]	- PIN CONNECTOR

**HYDRO-QUIP**  
CORONA, CA (951) 273-7575

**Manufacture Notes:**

#1 - Line 2 and Neutral need to be jumpered for 120V operation.

Drawn	MBS	Rev	01	Wire Color Code B - Black Br - Brown R - Red O - Orange Y - Yellow G - Green Bl - Blue V - Violet W - White Gr - Gray
Date	11.24.08			
Diagram No.	6827-AL			