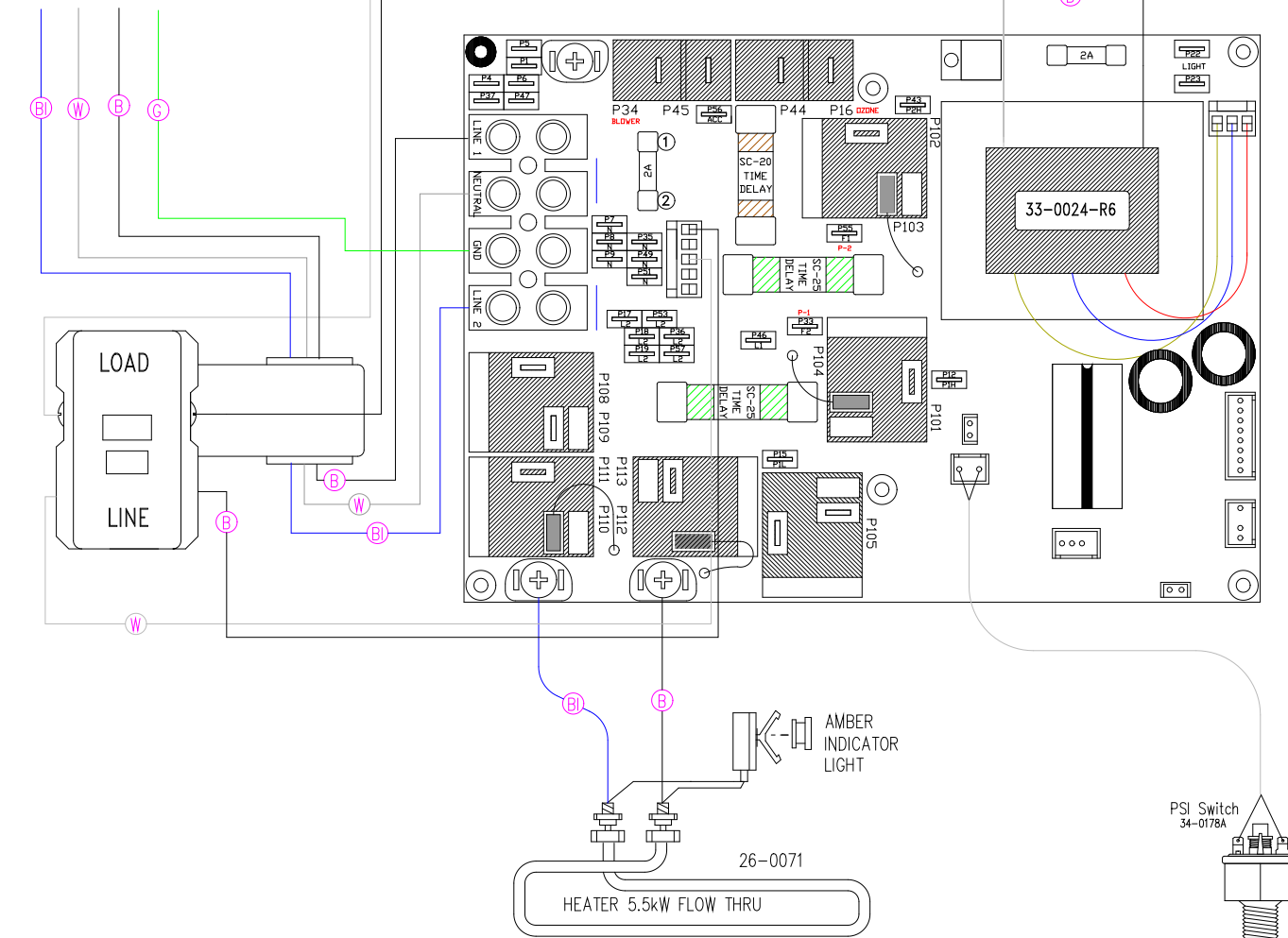
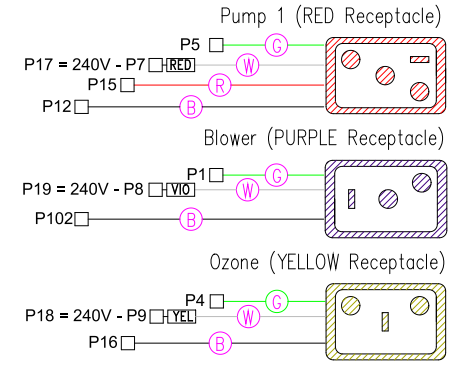
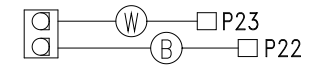


MAIN POWER CONNECTION

L2 N L1 G



LIGHT (12V)



LEGEND	
	- 1/4" QUICK CONNECT
	- 1/4" QUICK CONNECT PIGGYBACK
	- FORK CONNECTOR
	- RING CONNECTOR
	- SOCKET CONNECTOR
	- PIN CONNECTOR

HYDRO-QUIP
CORONA, CA (951) 273-7575

Manufacture Notes:

#1 Line 2 and Neutral need to be jumpered for 120V operation.

Drawn	MBS	Rev	01	Wire Color Code
Date	05.29.08			
Diagram No.	6824			
B - Black	G - Green			
Br - Brown	Bl - Blue			
R - Red	V - Violet			
O - Orange	W - White			
Y - Yellow	Gr - Gray			