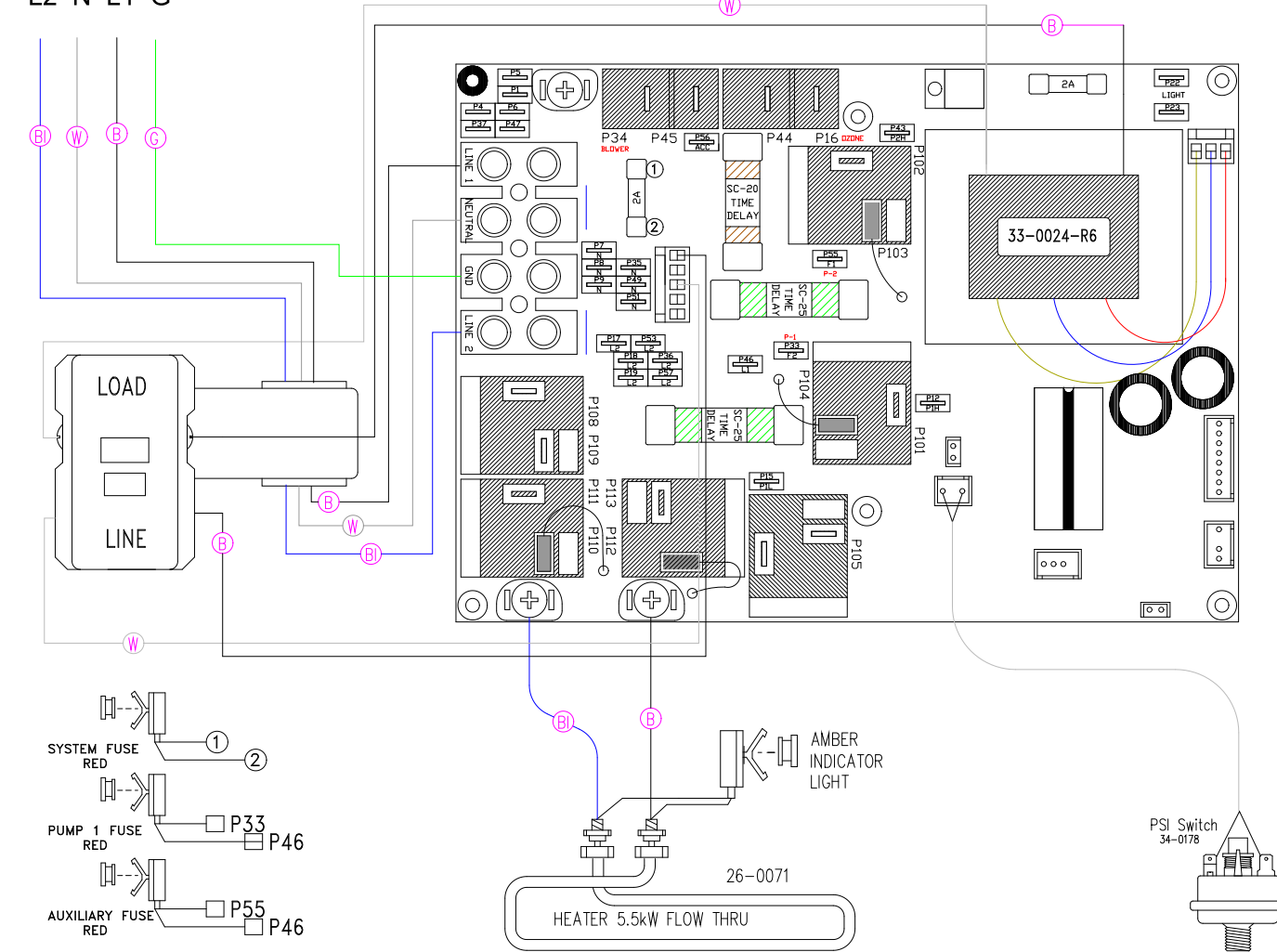
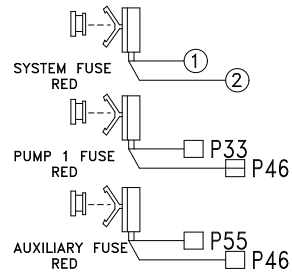
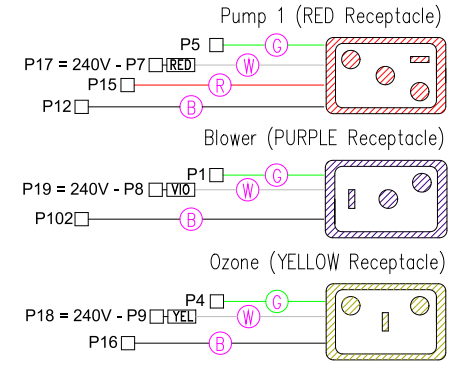
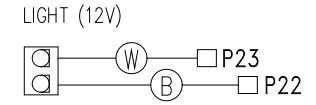
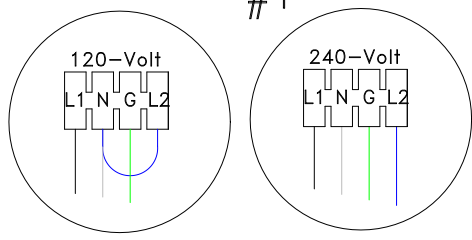


# MAIN POWER CONNECTION

L2 N L1 G



#1



### Manufacture Notes:

#1 Line 2 and Neutral need to be jumpered for 120V operation.

**HYDRO-QUIP**  
 CORONA, CA (951) 273-7575

Drawn MBS	Rev 01	<b>LEGEND</b> □ - 1/4" QUICK CONNECT ▤ - 1/4" QUICK CONNECT PIGGYBACK ⊞ - FORK CONNECTOR ○ - RING CONNECTOR ◻ - SOCKET CONNECTOR △ - PIN CONNECTOR
Date 09.18.09	Wire Color Code	
Diagram No. 6824-M	B - Black      G - Green Br - Brown    Bl - Blue R - Red        V - Violet O - Orange    W - White Y - Yellow     Gr - Gray	