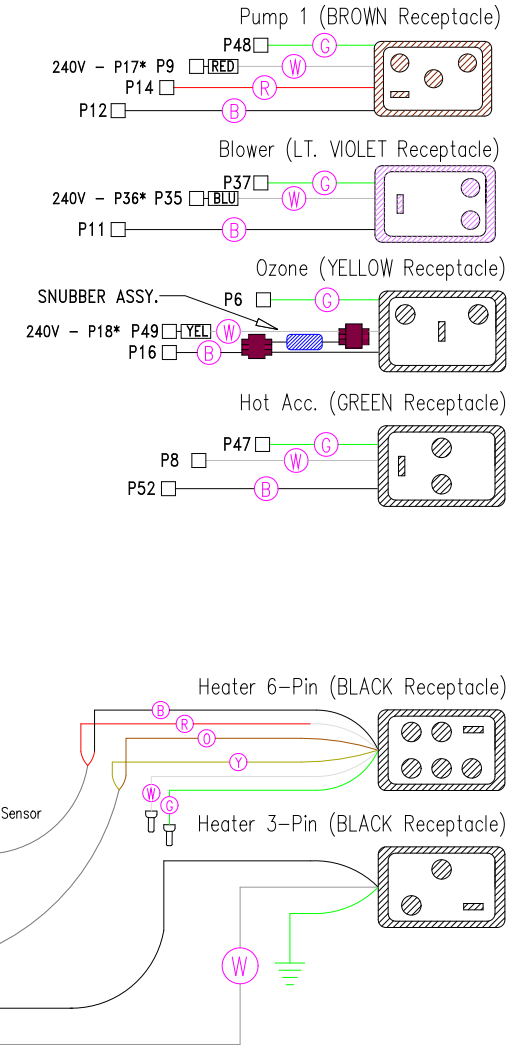
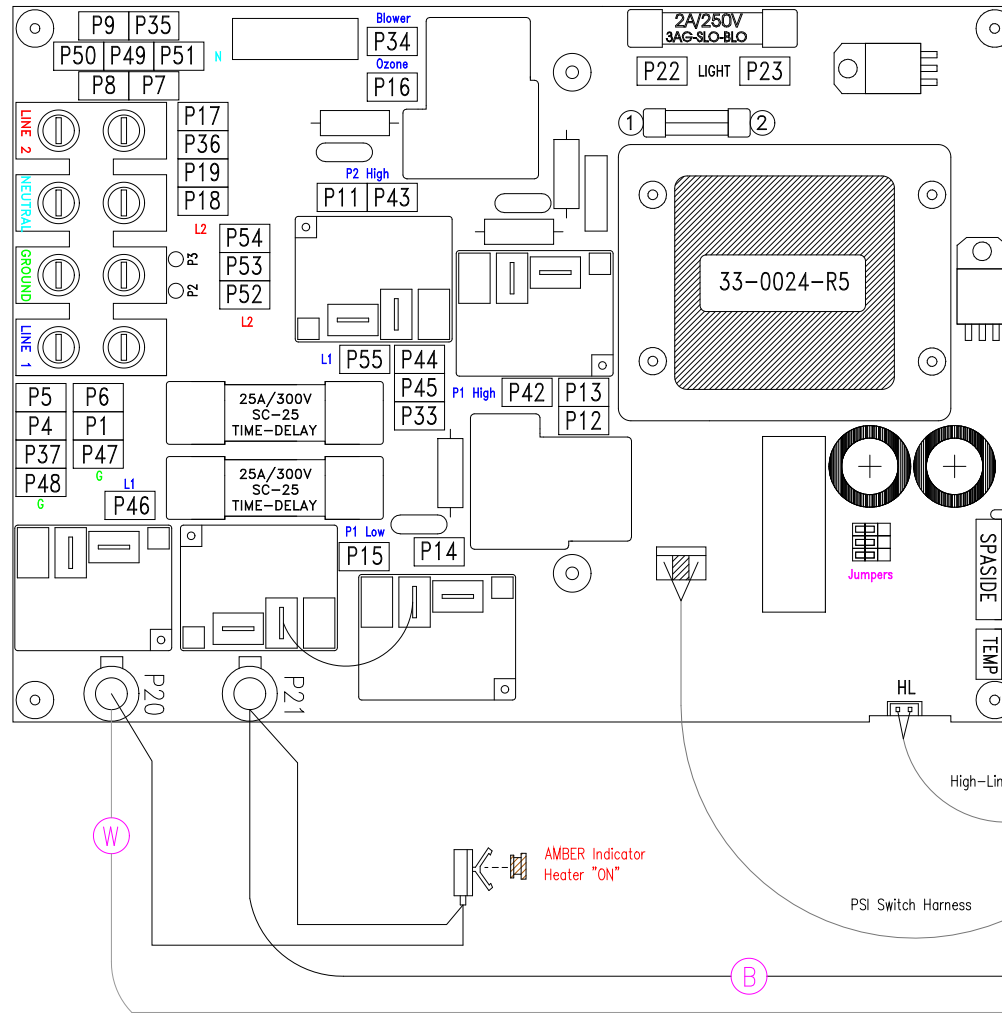
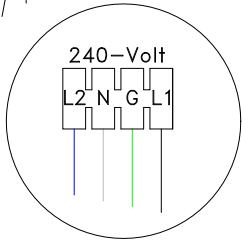


#1



LEGEND	
□	- 1/4" QUICK CONNECT
▢	- 1/4" QUICK CONNECT PIGGYBACK
○	- RING CONNECTOR
◻	- SOCKET CONNECTOR
△	- PIN CONNECTOR

HYDRO-QUIP
CORONA, CA (951) 273-7575

Manufacture Notes:

#1 Line 2 and Neutral need to be jumpered for 120V operation.

Drawn	MBS	Rev	1	Wire Color Code	
Date	12.11.08			B - Black	G - Green
Diagram No.	6811D_SPL			Br - Brown	Bl - Blue
				R - Red	V - Violet
				O - Orange	W - White
				Y - Yellow	Gr - Gray