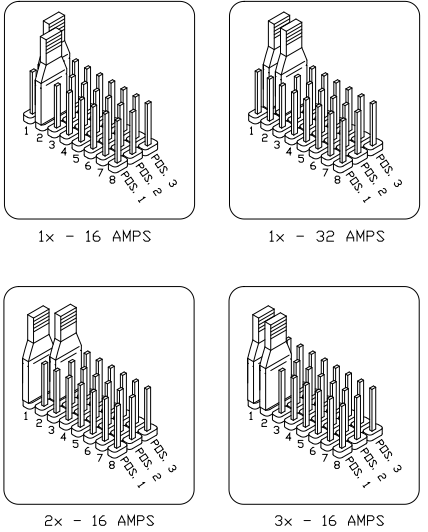
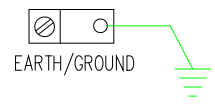


**JUMPER SETTINGS**



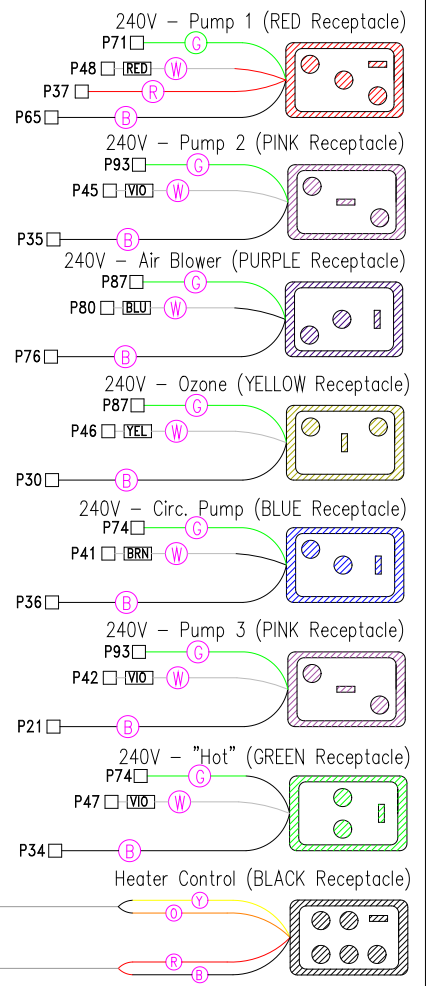
1, 2, or 3 PHASE INPUT  
USE COPPER CONDUCTORS ONLY

LINE 2 - BLACK  
LINE 1 - BROWN  
NEUTRAL - BLUE  
LINE 3 - GRAY



HIGH-LIMIT SENSOR  
PRESSURE SWITCH HARNESS

HEATER CONNECTS HERE



**HYDRO-QUIP**  
CORONA, CA (951) 273-7575

**Manufacture Notes:**  
CAUTION - THERE ARE SPECIAL JUMPER SETTINGS  
REFER TO "JUMPER CONFIGURATION SHEET" FOR 1, 2, AND 3 PHASE CONFIGURATIONS.

Drawn MBS	Rev 0	<b>Wire Color Code</b>
Date 06.28.08		
Diagram No. 6735		

B - Black	G - Green
Br - Brown	Bl - Blue
R - Red	V - Violet
O - Orange	W - White
Y - Yellow	Gr - Gray