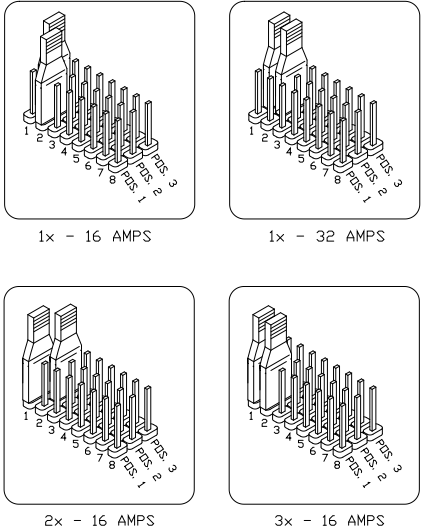
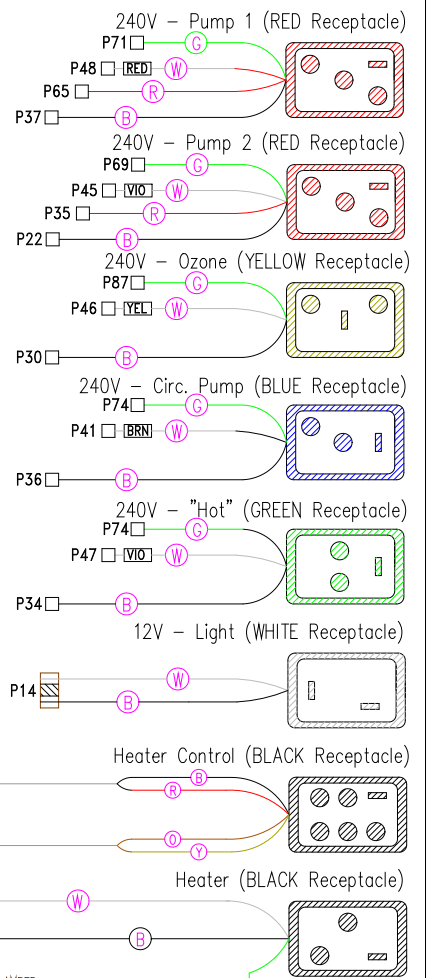
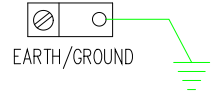


JUMPER SETTINGS



1, 2 or 3 - PHASE INPUT
USE COPPER CONDUCTORS ONLY

LINE 2 - BLACK
LINE 1 - BROWN
NEUTRAL - BLUE
LINE 3 - GRAY



HIGH-LIMIT SENSOR
PRESSURE SWITCH HARNESS

HYDRO-QUIP
CORONA, CA (951) 273-7575

Manufacture Notes:
CAUTION - THERE ARE SPECIAL JUMPER SETTINGS
REFER TO "JUMPER CONFIGURATION SHEET" FOR 1, 2, AND 3 PHASE CONFIGURATIONS.

Drawn BH	Rev 0	Wire Color Code B - Black G - Green Br - Brown Bl - Blue R - Red V - Violet O - Orange W - White Y - Yellow Gr - Gray
Date	05.29.07	
Diagram No.	6732	