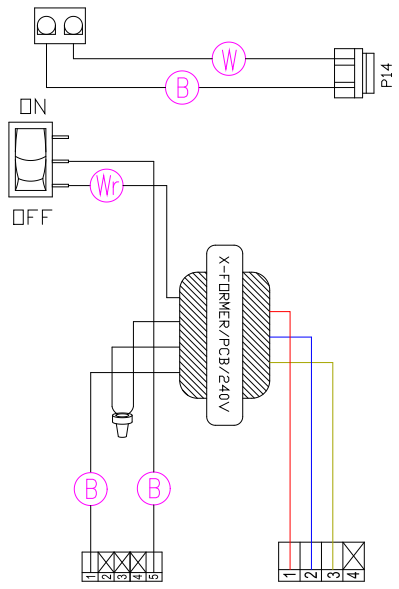
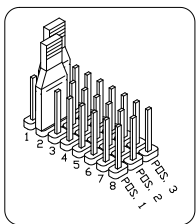


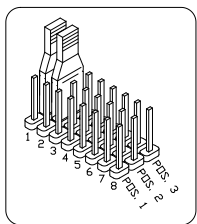
12V Light (White 2-Pin)



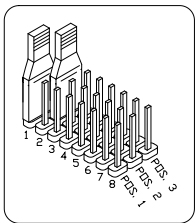
JUMPER SETTINGS



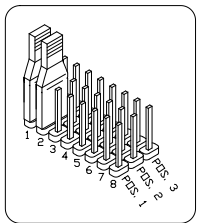
1x - 16 AMPS



1x - 32 AMPS

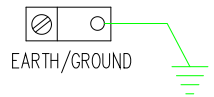


2x - 16 AMPS



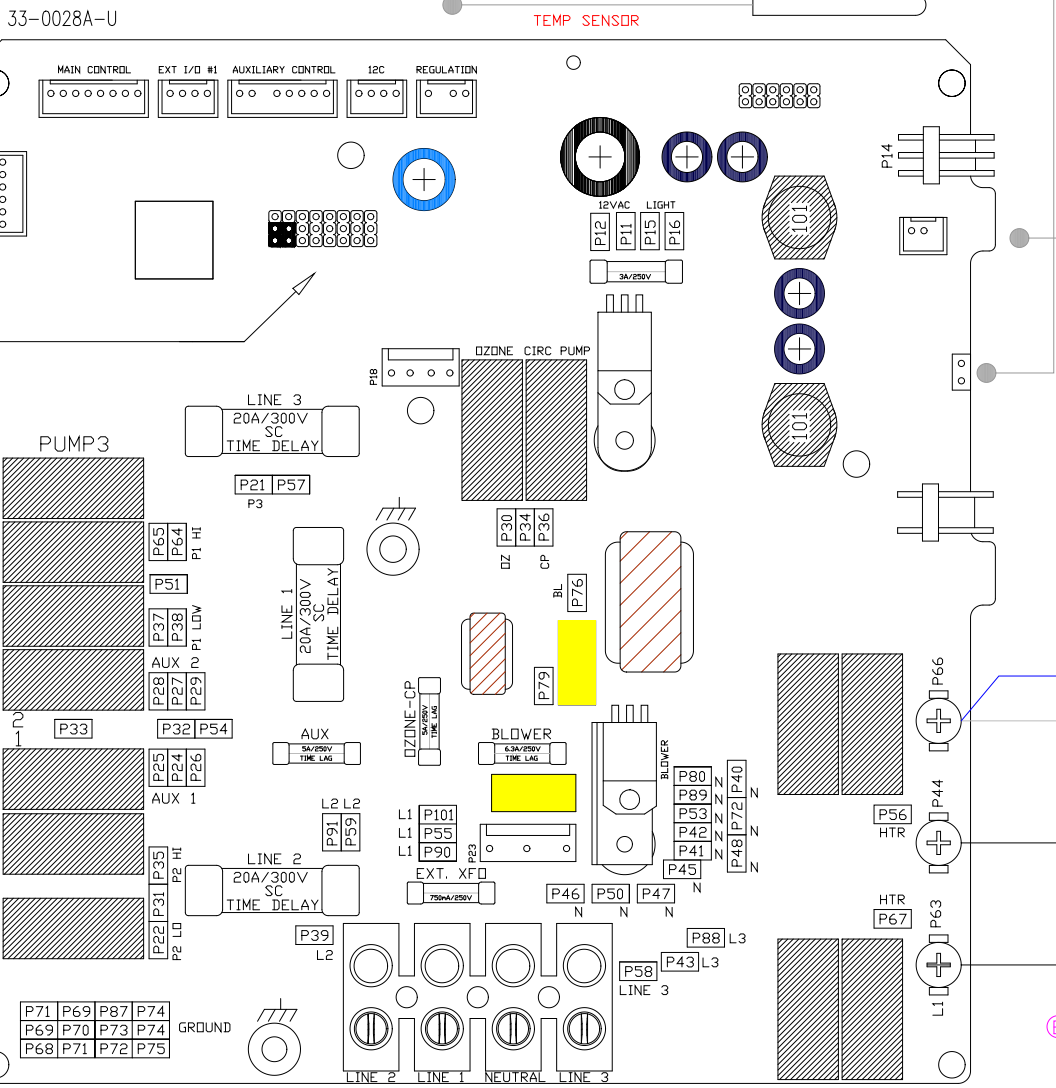
3x - 16 AMPS

1, 2, or 3 - PHASE INPUT  
USE COPPER CONDUCTORS ONLY



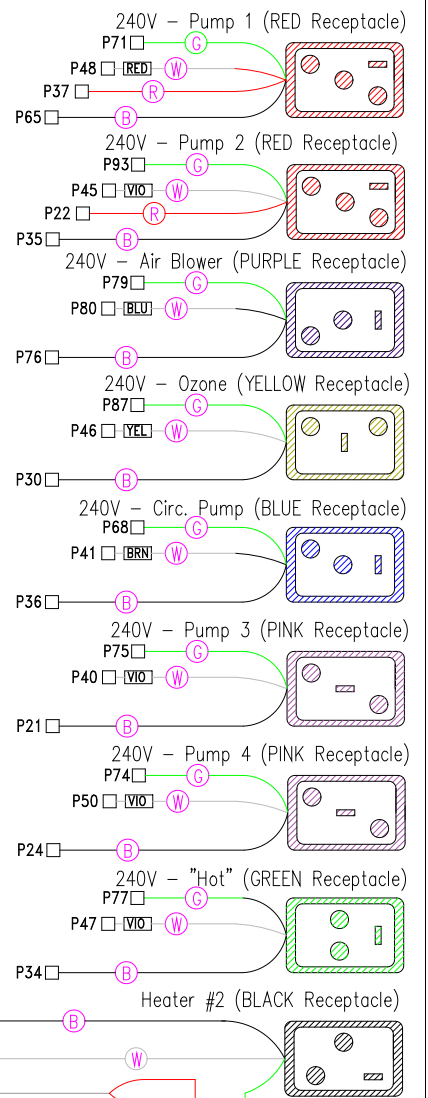
EARTH/GROUND

LINE 2 - BLACK  
LINE 1 - BROWN  
NEUTRAL - BLUE  
LINE 3 - GREY



HIGH-LIMIT SENSOR

PRESSURE SWITCH HARNESS



**HYDRO-QUIP**  
CORONA, CA (951) 273-7575

Manufacture Notes:  
CAUTION - THERE ARE SPECIAL JUMPER SETTINGS  
REFER TO "JUMPER CONFIGURATION SHEET" FOR 1, 2, AND 3 PHASE CONFIGURATIONS.

Drawn BH	Rev 0
Date 05.02.07	
Diagram No. 6731_SPL	

Wire Color Code	
B - Black	G - Green
Br - Brown	Bl - Blue
R - Red	V - Violet
O - Orange	W - White
Y - Yellow	Gr - Gray