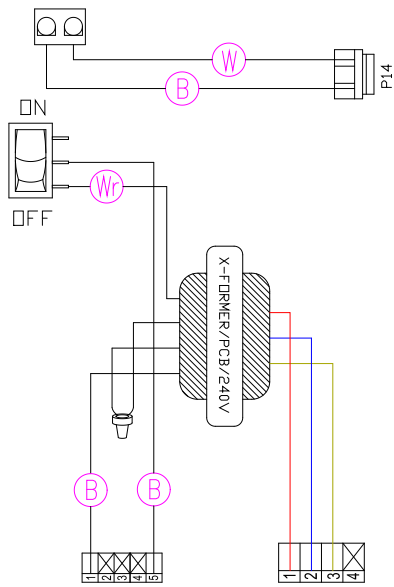
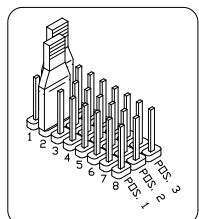


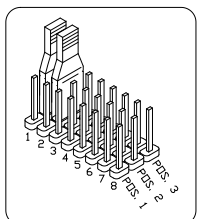
12V Light (White 2-Pin)



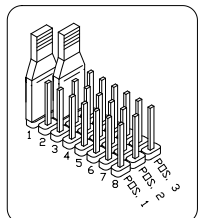
JUMPER SETTINGS



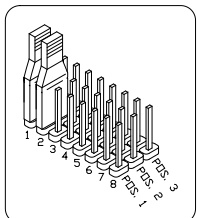
1x - 16 AMPS



1x - 32 AMPS

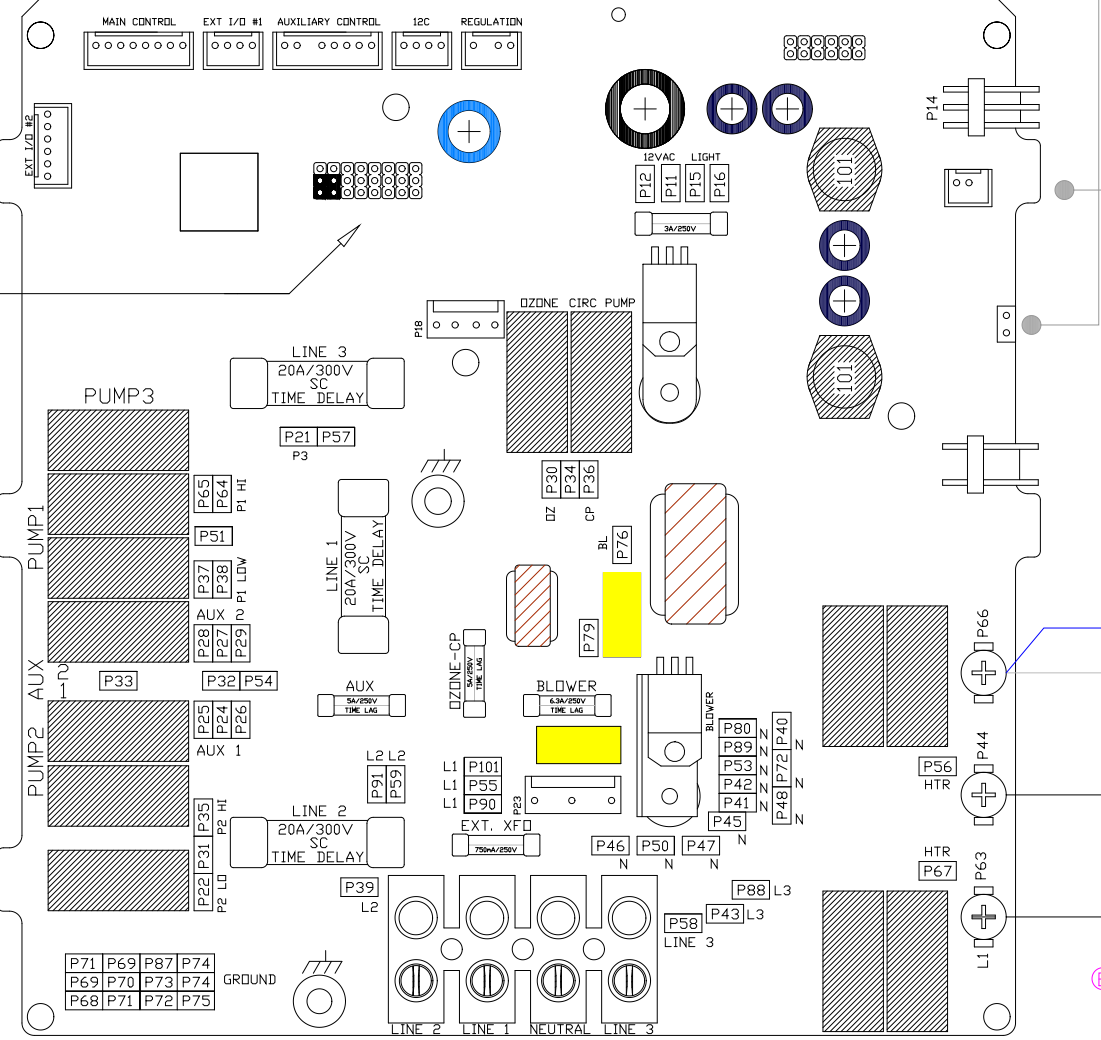


2x - 16 AMPS

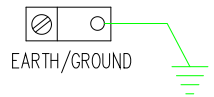


3x - 16 AMPS

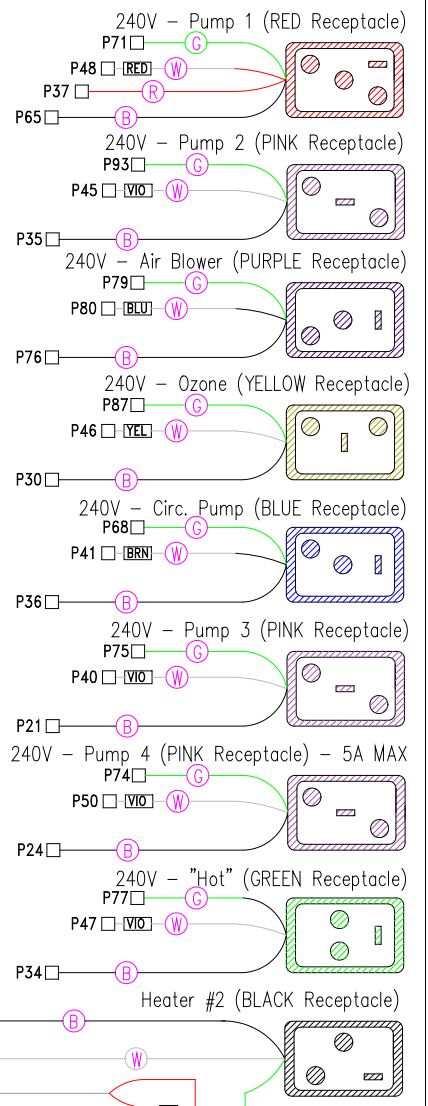
33-0028A-U



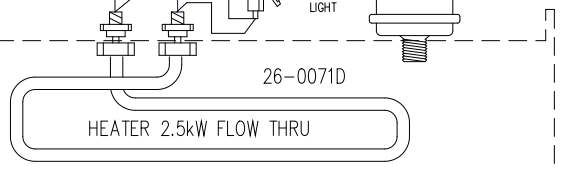
1, 2, or 3 - PHASE INPUT
USE COPPER CONDUCTORS ONLY



LINE 2 - BLACK
LINE 1 - BROWN
NEUTRAL - BLUE
LINE 3 - GREY



HIGH-LIMIT SENSOR
PRESSURE SWITCH HARNESS



HYDRO-QUIP
CORONA, CA (951) 273-7575

Manufacture Notes:
CAUTION - THERE ARE SPECIAL JUMPER SETTINGS
REFER TO "JUMPER CONFIGURATION SHEET" FOR 1, 2, AND 3 PHASE CONFIGURATIONS.

Drawn BH	Rev 0
Date 05.02.07	
Diagram No. 6731	

Wire Color Code	
B - Black	G - Green
Br - Brown	Bl - Blue
R - Red	V - Violet
O - Orange	W - White
Y - Yellow	Gr - Gray