

High-Limit LED must be installed as shown (lower 4 pins)

12V Light (White 2-Pin)

**SYSTEM FUSE**

RED INDICATOR LIGHT

**HIGH-LIMIT**

RED INDICATOR LIGHT

**PUMP 1 FUSE**

RED INDICATOR LIGHT

**PUMP 2 FUSE**

RED INDICATOR LIGHT

**AIR/CIRC/OZ FUSE**

RED INDICATOR LIGHT

**PUMP 3 FUSE**

RED INDICATOR LIGHT

ON

OFF

P101

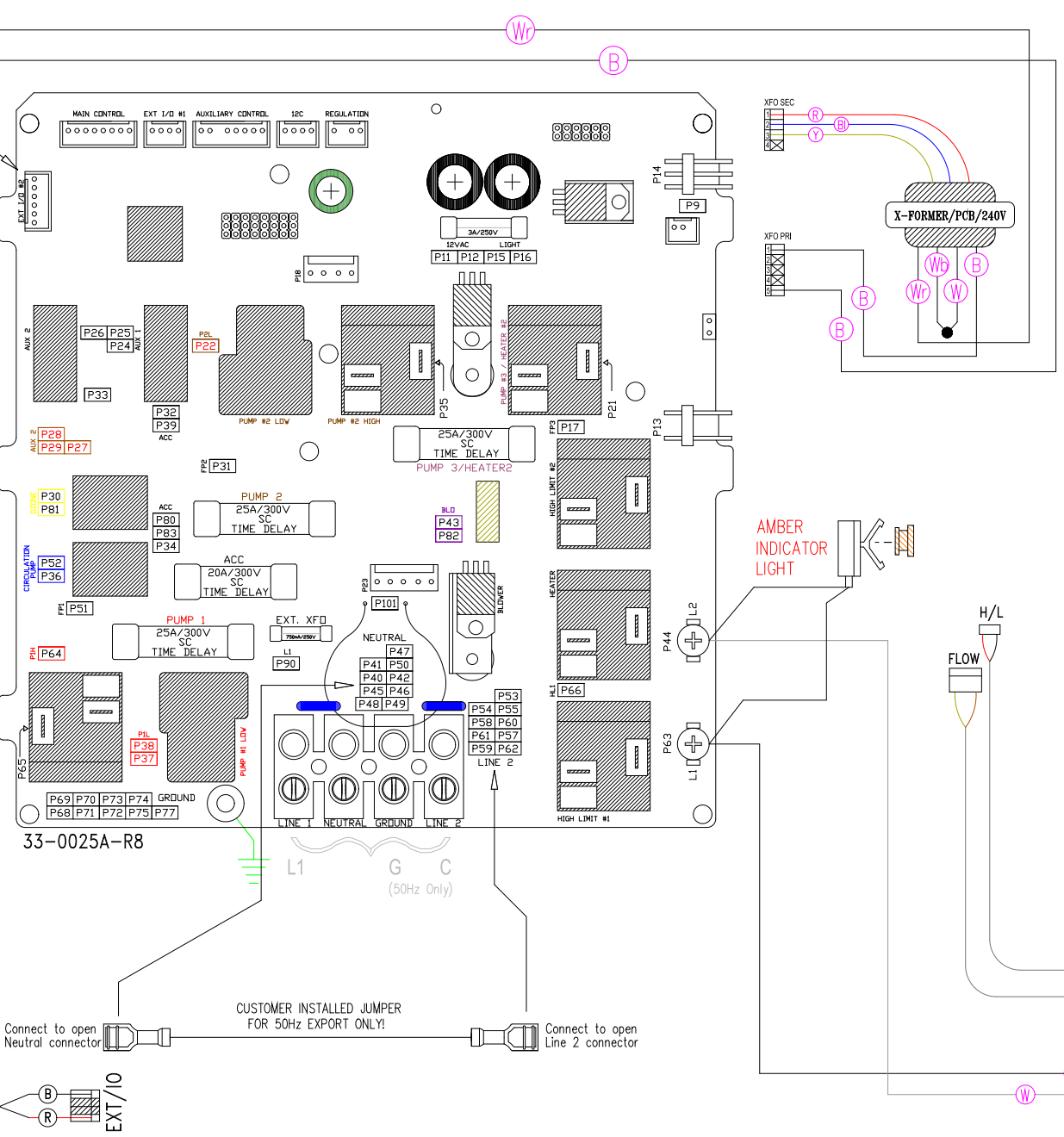
P51

P31

P34

P17

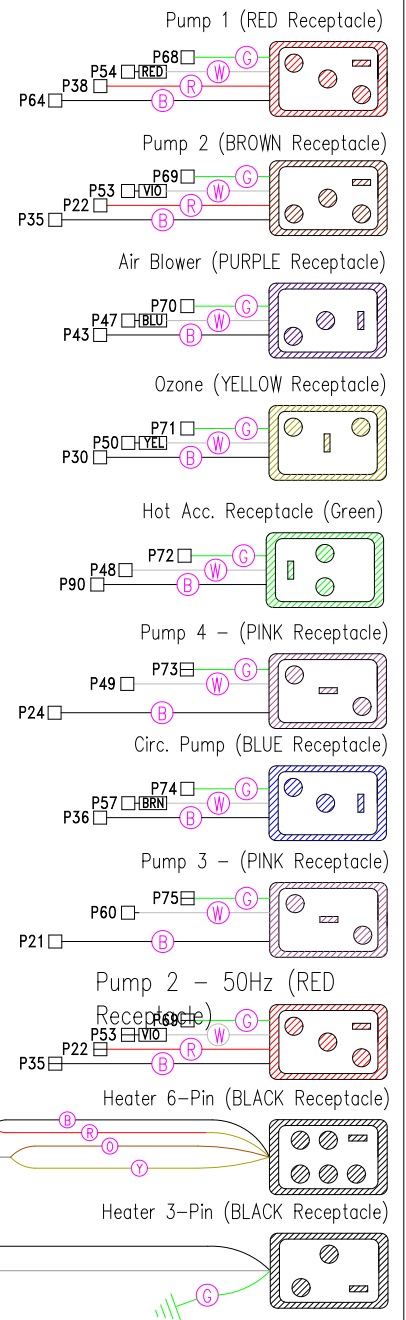
P90



33-0025A-R8

Connect to open Neutral connector  
 CUSTOMER INSTALLED JUMPER FOR 50Hz EXPORT ONLY!  
 Connect to open Line 2 connector

AMBER INDICATOR LIGHT



**HYDRO-QUIP**  
 CORONA, CA (909) 273-7575

Manufacture Notes: EX: RED - DENOTES THE COLOR OF HEAT SHRINK USED.

A 50Hz jumper has been provided for quick conversion to 3-Wire, 240V for export models. Connecting this plug will result in the PCB Neutral becoming L2 (or Common). Hydro-Quip will not be held responsible for domestic mis-wire as a result of this connection.

Drawn BH	Rev 2	Wire Color Code
Date 07.02.07		
Diagram No. 6729		B - Black Br - Brown R - Red O - Orange Y - Yellow G - Green Bl - Blue V - Violet W - White Gr - Gray