

High-Limit LED must be installed as shown (lower 4 pins)

12V Light (White 2-Pin)

SYSTEM FUSE

RED INDICATOR LIGHT

HIGH-LIMIT

RED INDICATOR LIGHT

PUMP 1 FUSE

RED INDICATOR LIGHT

PUMP 2 FUSE

RED INDICATOR LIGHT

AIR/CIRC/OZ FUSE

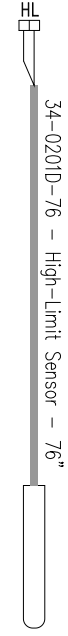
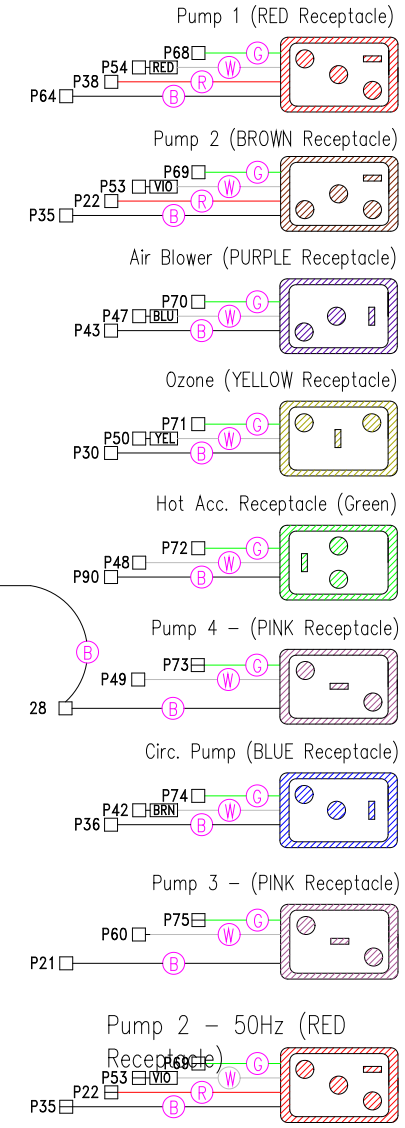
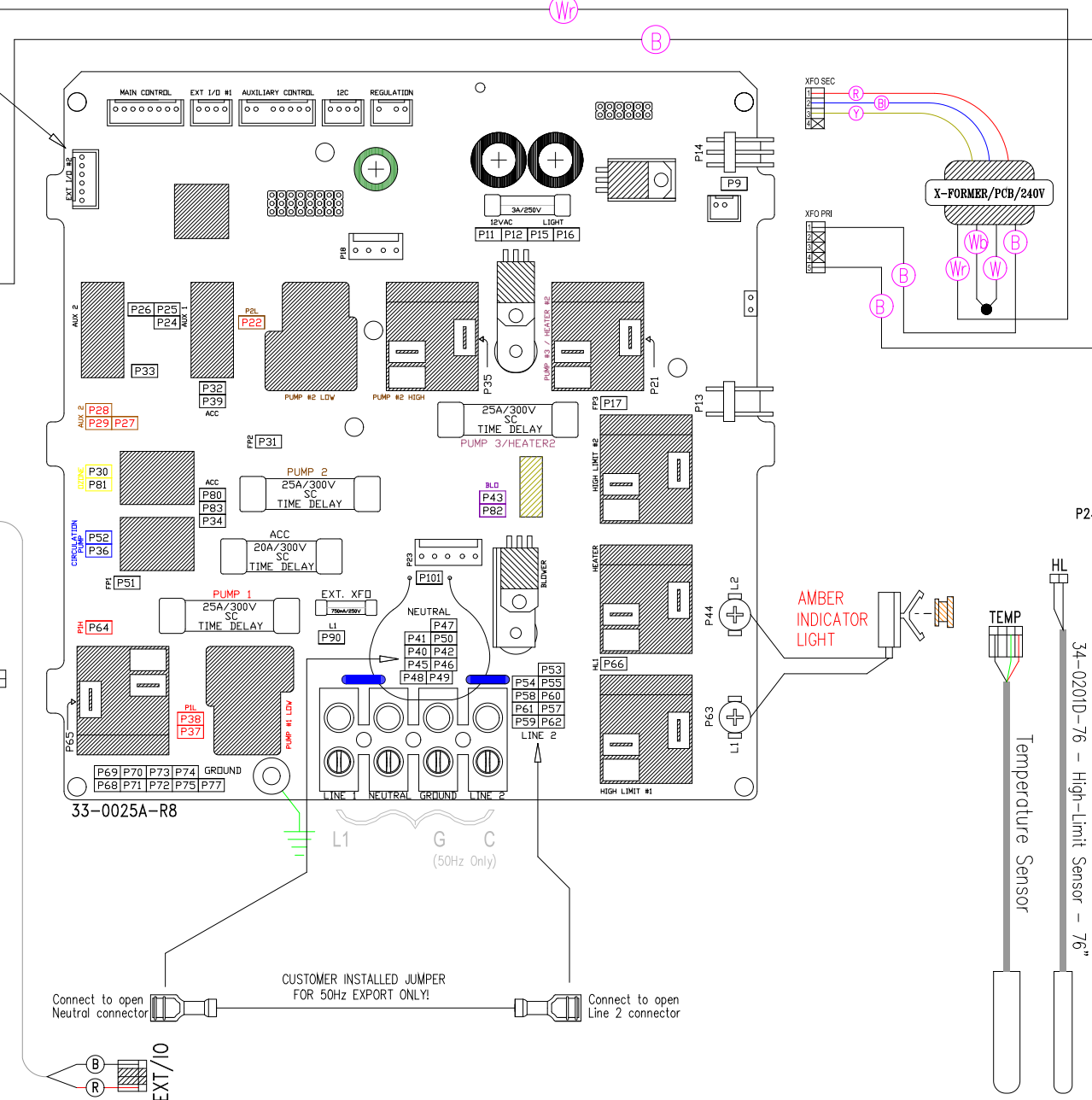
RED INDICATOR LIGHT

PUMP 3 FUSE

RED INDICATOR LIGHT

ON

OFF



HYDRO-QUIP
CORONA, CA (909) 273-7575

Manufacture Notes: EX: RED - DENOTES THE COLOR OF HEAT SHRINK USED.

Dwg. No. **C2S21A0-DKMPQY8-2**

Drawn BH
Date 05.15.07

Rev 1

Wire Color Code

B - Black	G - Green
Br - Brown	Bl - Blue
R - Red	V - Violet
O - Orange	W - White
Y - Yellow	Gr - Gray

A 50Hz jumper has been provided for quick conversion to 3-Wire, 240V for export models. Connecting this plug will result in the PCB Neutral becoming L2 (or Common).

Hydro-Quip will not be held responsible for domestic mis-wire as a result of this connection.

Diagram No. **6728**