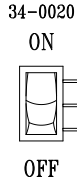
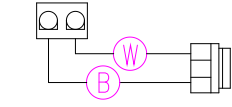


12V Light (White 2-Pin)



**SYSTEM FUSE**

RED INDICATOR LIGHT

**HIGH-LIMIT**

RED INDICATOR LIGHT

**PUMP 1 FUSE**

RED INDICATOR LIGHT

**PUMP 2 FUSE**

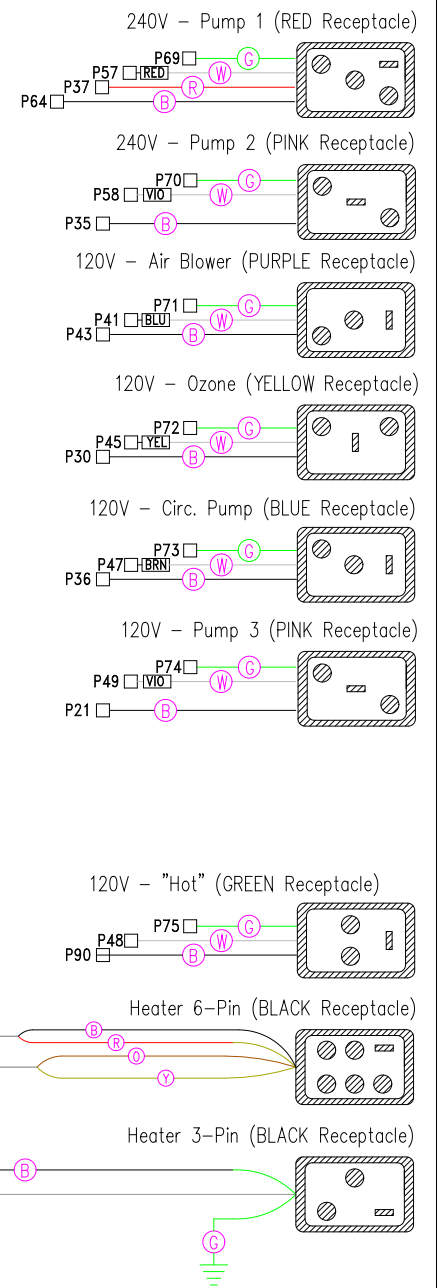
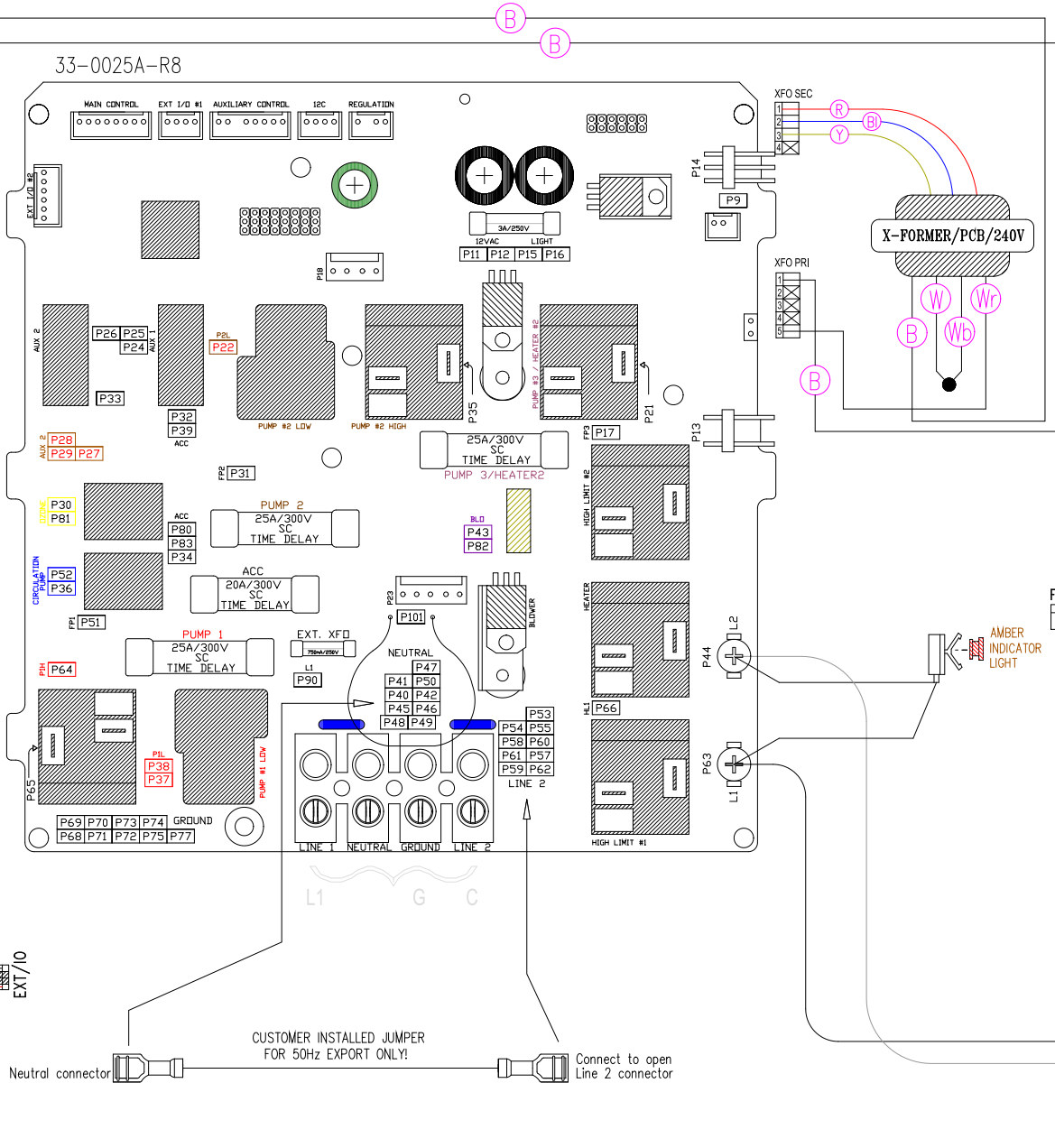
RED INDICATOR LIGHT

**AIR/CIRC/OZ FUSE**

RED INDICATOR LIGHT

**PUMP 3 FUSE**

RED INDICATOR LIGHT



**HYDRO-QUIP**  
CORONA, CA (951) 273-7575

Manufacture Notes:

Drawn	Rev
BH	4
Date	05.15.07
Diagram No.	6717

Wire Color Code	
B - Black	G - Green
Br - Brown	Bl - Blue
R - Red	V - Violet
O - Orange	W - White
Y - Yellow	Gr - Gray