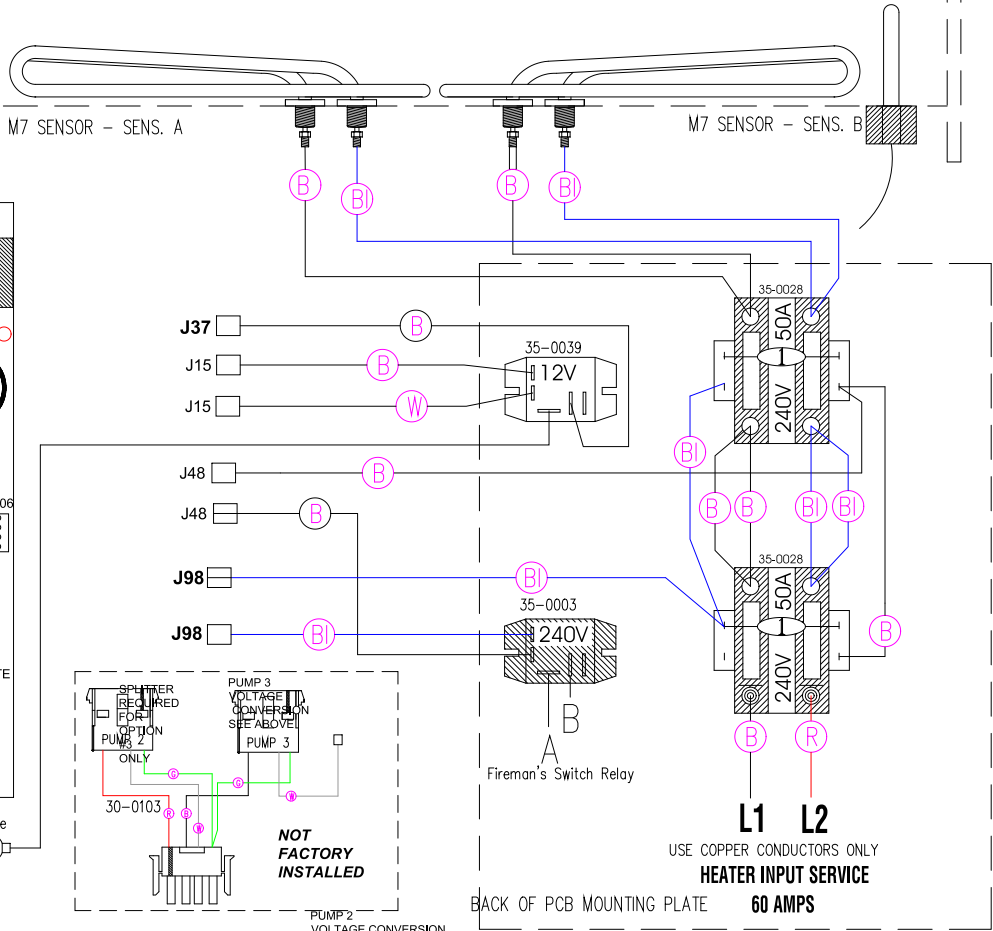
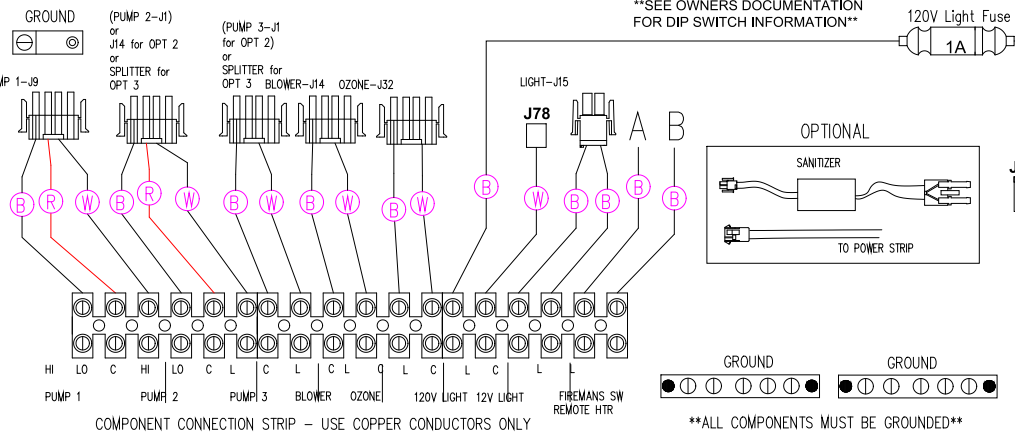
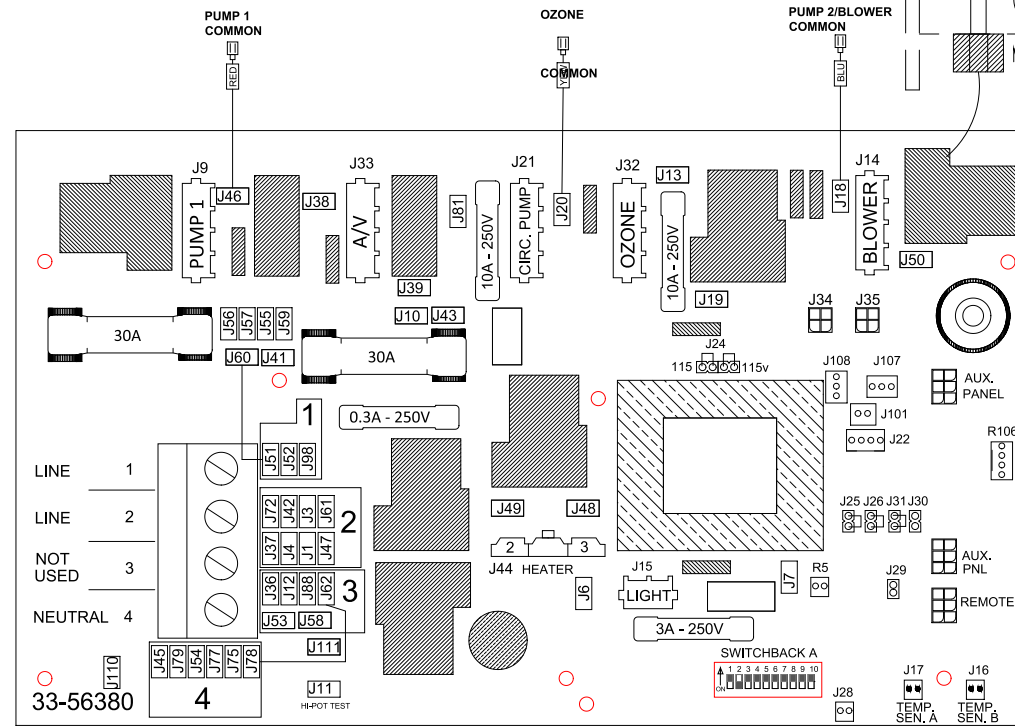


TO CONVERT CIRCUIT 120V OR 240V MOVE WHITE WIRE ACCORDINGLY
120V COMPONENT = OPEN POSITION AT CONNECTION BLOCK #4
240V COMPONENT = OPEN POSITION AT CONNECTION BLOCK #2

26-0054A-M7-F - 11kW Heater



CONFIGURATION OPTIONS

DEFAULT/FACTORY CONFIGURATION: PUMP 1=2-SPEED, PUMP 2=1-SPEED, BLOWER

OPTION 1 (SETUP #3) - 2 SPEED PUMP #2 & BLOWER: REFER TO INSTALLATION MANUAL SYSTEM CONFIGURATION.

OPTION 2 (SETUP #2) - 2-SPEED PUMP #2 & PUMP #3: PUMP #2 PLUGS INTO (J14), PUMP #3 PLUGS INTO AUX PCB (J1).

OPTION 3 (SETUP #5) - 1-SPEED PUMP #2, BLOWER & PUMP #3: PUMP #2 & PUMP #3 PLUGS INTO AUX PCB SPLITTER CONNECTED TO (J1).

****SEE INSTALLATION MANUAL FOR DIP SWITCH SETTINGS****

HYDRO-QUIP
CORONA, CA (951) 273-7575

Manufacture Notes:

Dwg. No. **G822A0-KLPQY-J**

Drawn **MBS** Rev **01**

Wire Color Code

DEFAULT SYSTEM SETUP: #18 - REFER TO INSTALLATION MANUAL

Date **09.27.17**
Diagram No. **5195**

B - Black G - Green
 Br - Brown Bl - Blue
 R - Red V - Violet
 O - Orange W - White
 Y - Yellow Gr - Gray