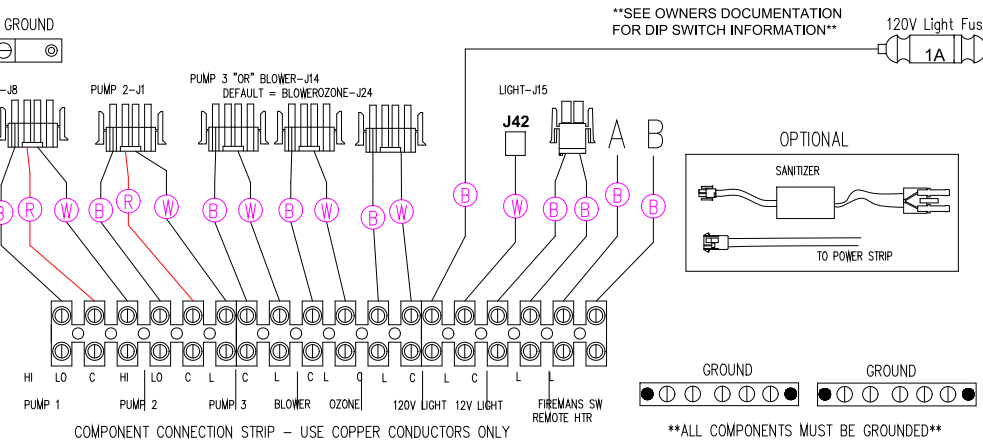
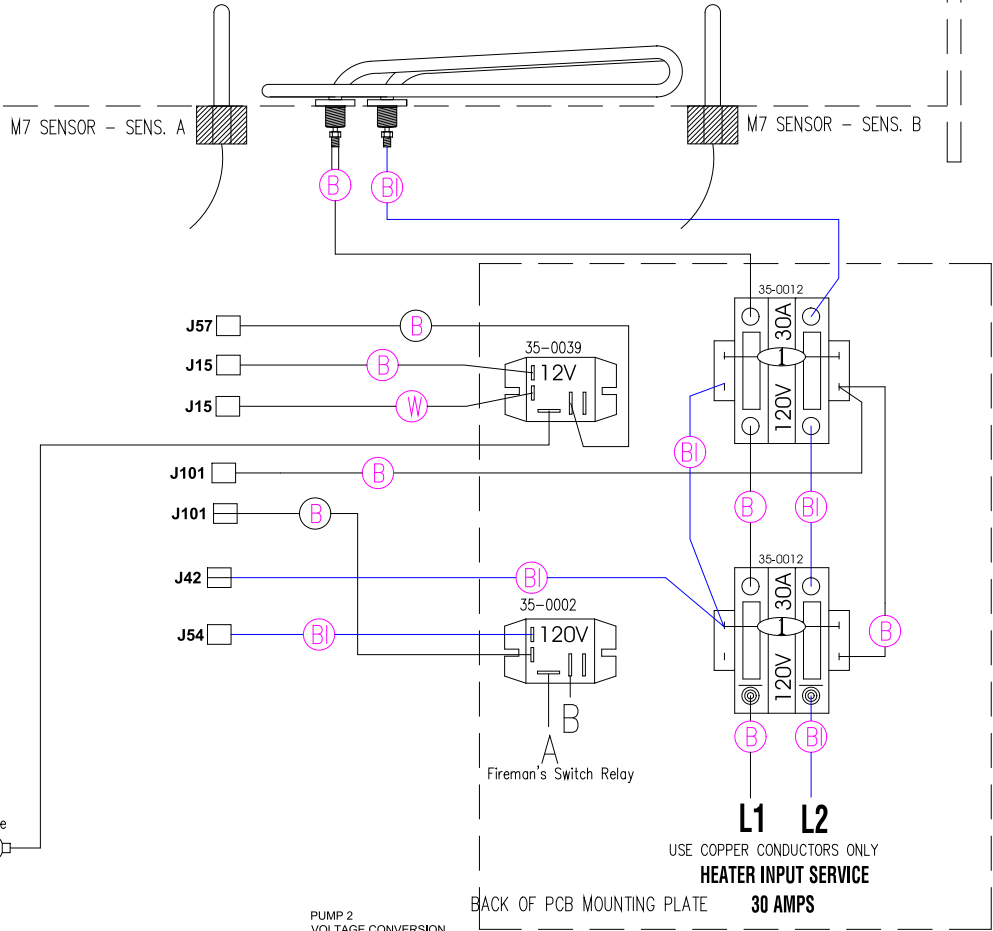
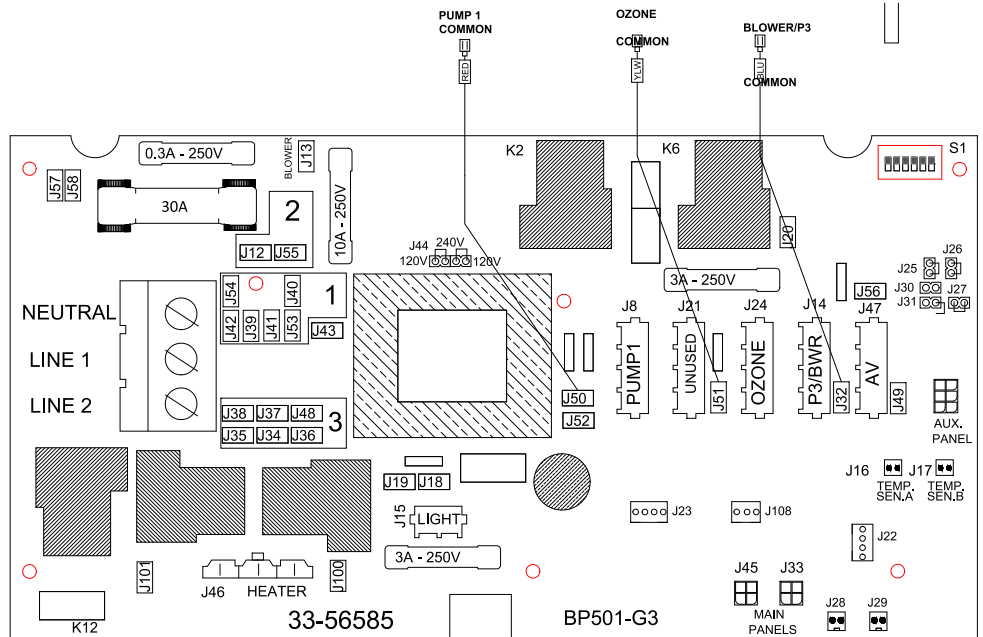


TO CONVERT CIRCUIT 120V OR 240V MOVE WHITE WIRE ACCORDINGLY
 120V COMPONENT = OPEN POSITION AT CONNECTION BLOCK #1
 240V COMPONENT = OPEN POSITION AT CONNECTION BLOCK #3

26-0053-M7-F - 5.5kW Heater



SEE OWNERS DOCUMENTATION FOR DIP SWITCH INFORMATION
 120V Light Fuse
 1A

CONFIGURATION OPTIONS
DEFAULT/FACORY CONFIGURATION (SETUP #4): PUMP 1=2-SPEED, PUMP 2=1-SPEED, BLOWER
 OPTION 1 (SETUP #2) - 2 SPEED PUMP #2 & BLOWER: REFER TO INSTALLATION MANUAL SYSTEM CONFIGURATION.
 OPTION 2 (SETUP #1) - 2-SPEED PUMP #2 & PUMP #3: PUMP #2 PLUGS INTO (J14).
****SEE INSTALLATION MANUAL FOR DIP SWITCH SETTINGS****

HYDRO-QUIP
 CORONA, CA (951) 273-7575

Manufacture Notes:

Dwg. No.
G822A0-KLPQY-J

Drawn	Rev
MBS	01
Date	09.05.17
Diagram No.	5193

Wire Color Code	
B - Black	G - Green
Br - Brown	Bl - Blue
R - Red	V - Violet
O - Orange	W - White
Y - Yellow	Gr - Gray

DEFAULT SYSTEM SETUP: #4 - REFER TO INSTALLATION MANUAL