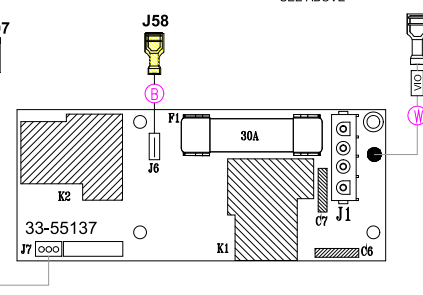
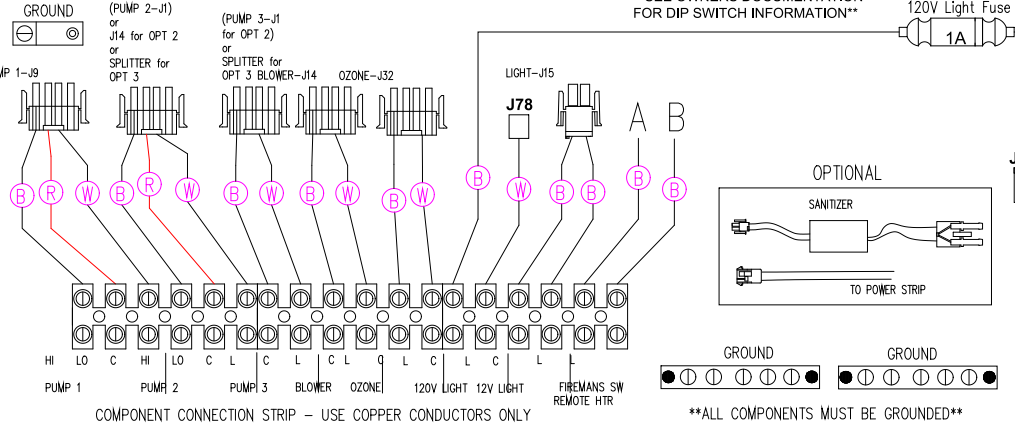
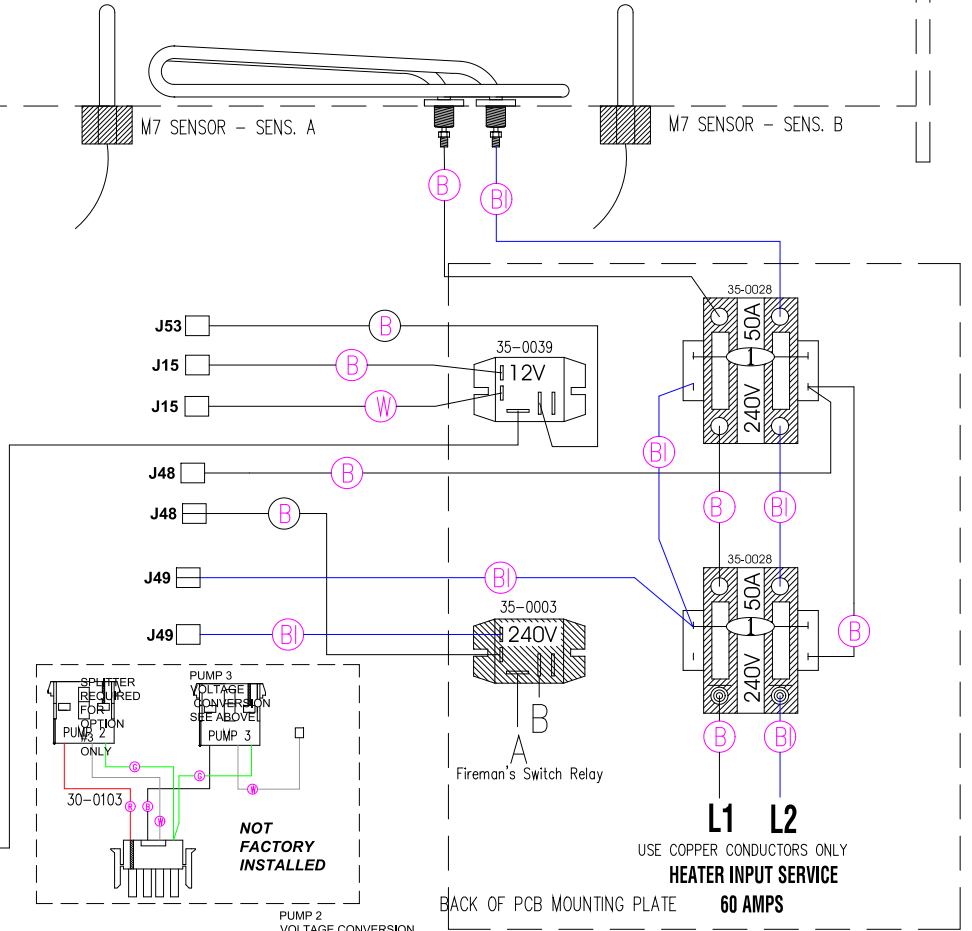
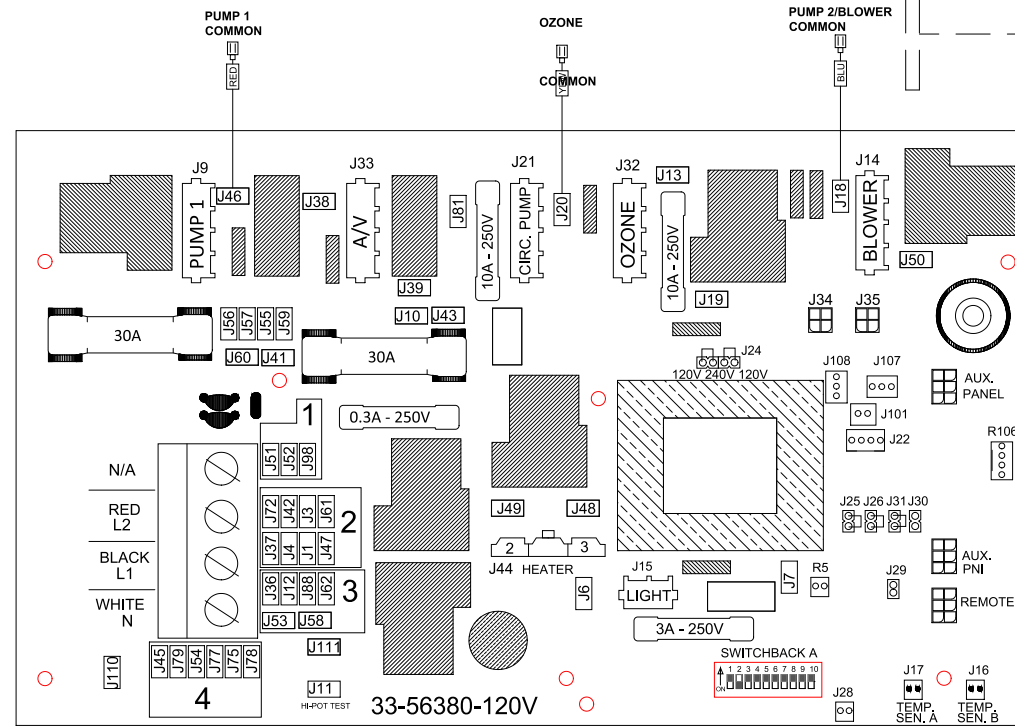


TO CONVERT CIRCUIT 120V OR 240V MOVE WHITE WIRE ACCORDINGLY
120V COMPONENT = OPEN POSITION AT CONNECTION BLOCK #4
240V COMPONENT = OPEN POSITION AT CONNECTION BLOCK #2

26-0053B-M7-F - 4.0kW Heater



CONFIGURATION OPTIONS

DEFAULT/FACTORY CONFIGURATION: PUMP 1=2-SPEED, PUMP 2=1-SPEED, BLOWER

OPTION 1 (SETUP #3) - 2 SPEED PUMP #2 & BLOWER: REFER TO INSTALLATION MANUAL SYSTEM CONFIGURATION.

OPTION 2 (SETUP #2) - 2-SPEED PUMP #2 & PUMP #3: PUMP #2 PLUGS INTO (J14), PUMP #3 PLUGS INTO AUX PCB (J1).

OPTION 3 (SETUP #5) - 1-SPEED PUMP #2, BLOWER & PUMP #3: PUMP #2 & PUMP #3 PLUGS INTO AUX PCB SPLITTER CONNECTED TO (J1).

****SEE INSTALLATION MANUAL FOR DIP SWITCH SETTINGS****

HYDRO-QUIP
CORONA, CA (951) 273-7575

Manufacture Notes:

Dwg. No. G822A0-KLPQY-J

Drawn MO Rev 02

Wire Color Code

DEFAULT SYSTEM SETUP: #18 - REFER TO INSTALLATION MANUAL

Date 01.18.17
Diagram No. 5190

B - Black G - Green
Br - Brown BL - Blue
R - Red V - Violet
O - Orange W - White
Y - Yellow Gr - Gray