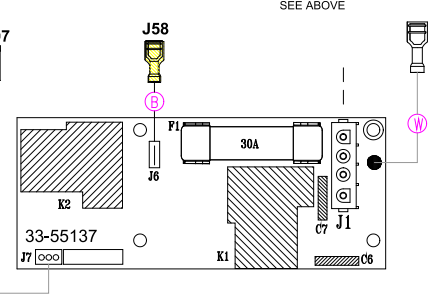
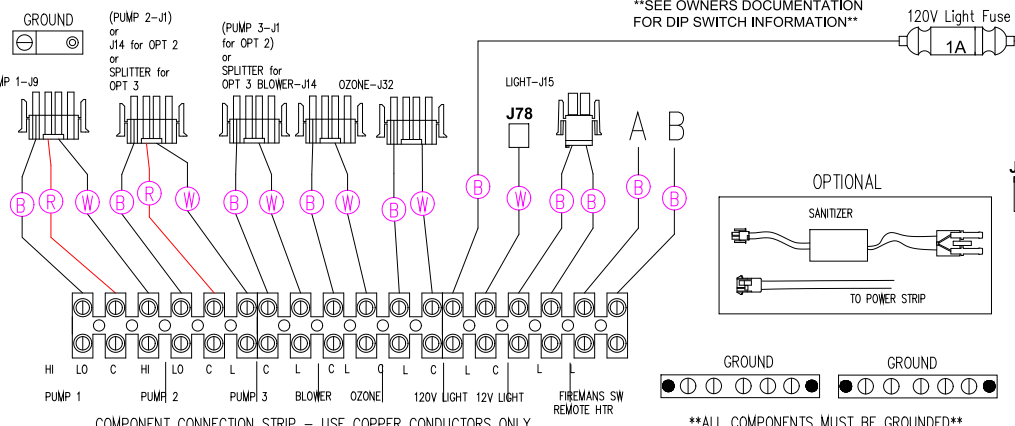
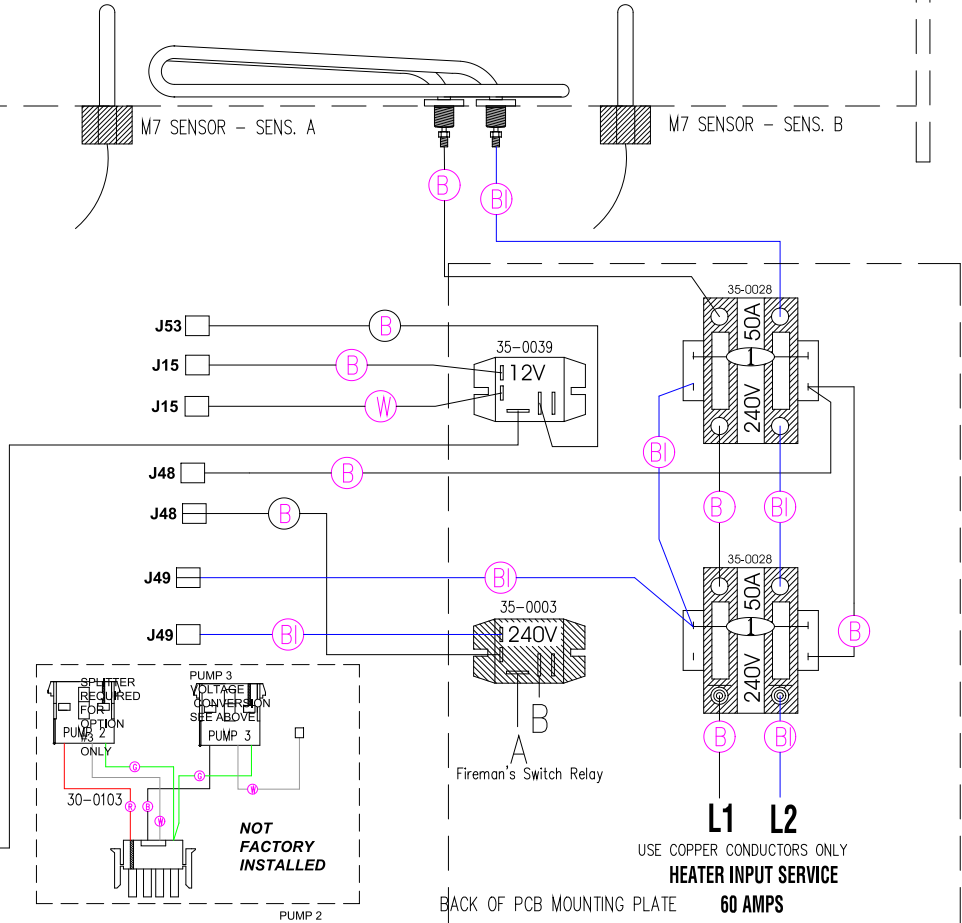
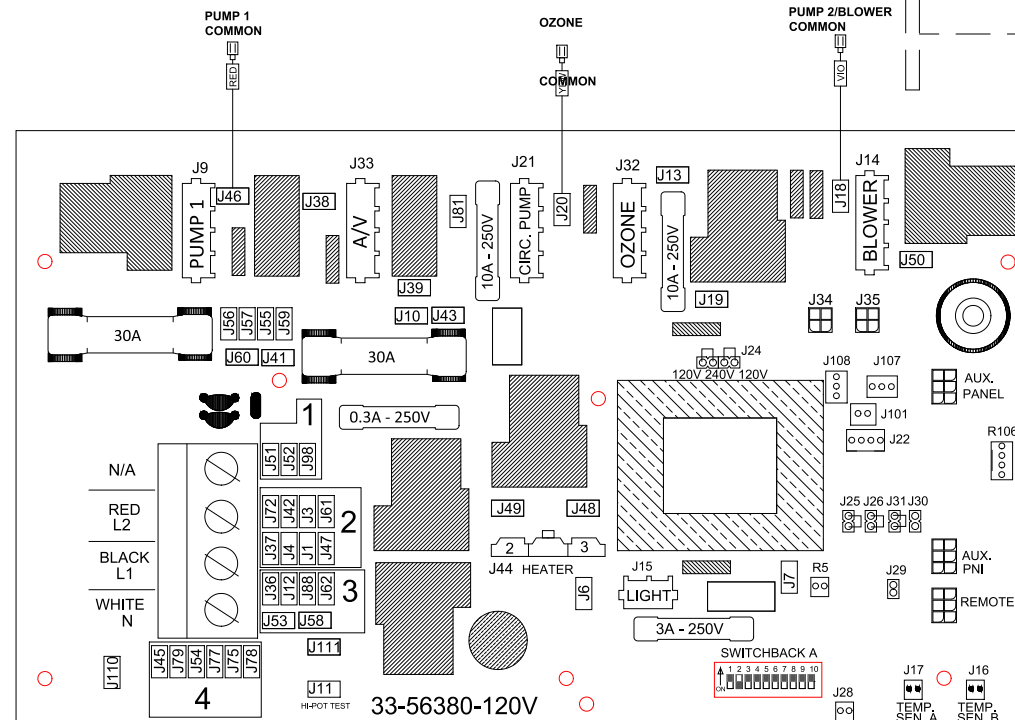


TO CONVERT CIRCUIT 120V OR 240V MOVE WHITE WIRE ACCORDINGLY  
 120V COMPONENT = OPEN POSITION AT CONNECTION BLOCK #4  
 240V COMPONENT = OPEN POSITION AT CONNECTION BLOCK #2

26-0053B-M7-F - 4.0kW Heater



**CONFIGURATION OPTIONS**

**DEFAULT/FACTORY CONFIGURATION:** PUMP 1=2-SPEED, PUMP 2=1-SPEED, BLOWER

**OPTION 1 (SETUP #3) - 2 SPEED PUMP #2 & BLOWER:** REFER TO INSTALLATION MANUAL SYSTEM CONFIGURATION.

**OPTION 2 (SETUP #2) - 2-SPEED PUMP #2 & PUMP #3:** PUMP #2 PLUGS INTO (J14), PUMP #3 PLUGS INTO AUX PCB (J1).

**OPTION 3 (SETUP #5) - 1-SPEED PUMP #2, BLOWER & PUMP #3:** PUMP #2 & PUMP #3 PLUGS INTO AUX PCB SPLITTER CONNECTED TO (J1).

**\*\*SEE INSTALLATION MANUAL FOR DIP SWITCH SETTINGS\*\***

HYDRO-QUIP  
 CORONA, CA (951) 273-7575

Manufacture Notes:

Dwg. No. G822A0-KLPQY-J

Drawn MO  
 Date 01.05.17  
 Diagram No. 5190

Wire Color Code	
B - Black	G - Green
Br - Brown	Bl - Blue
R - Red	V - Violet
O - Orange	W - White
Y - Yellow	Gr - Gray

DEFAULT SYSTEM SETUP: #18 - REFER TO INSTALLATION MANUAL