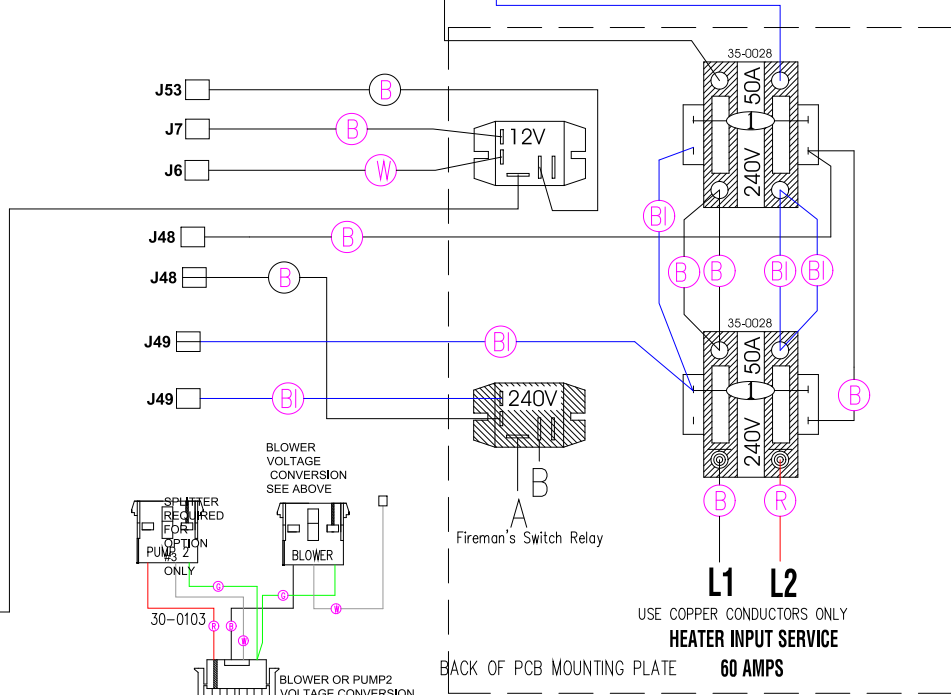
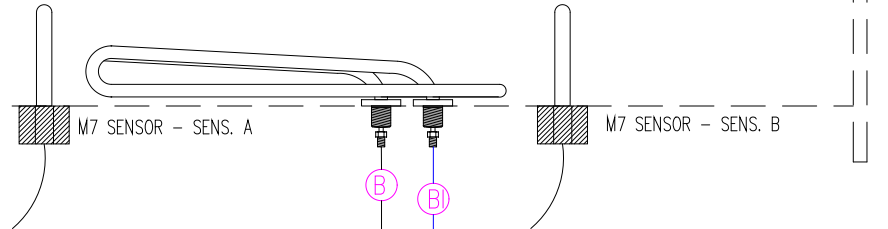
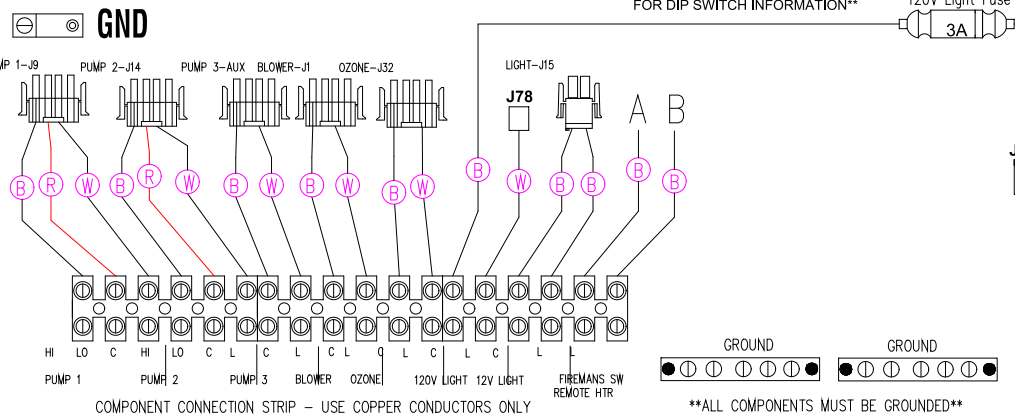
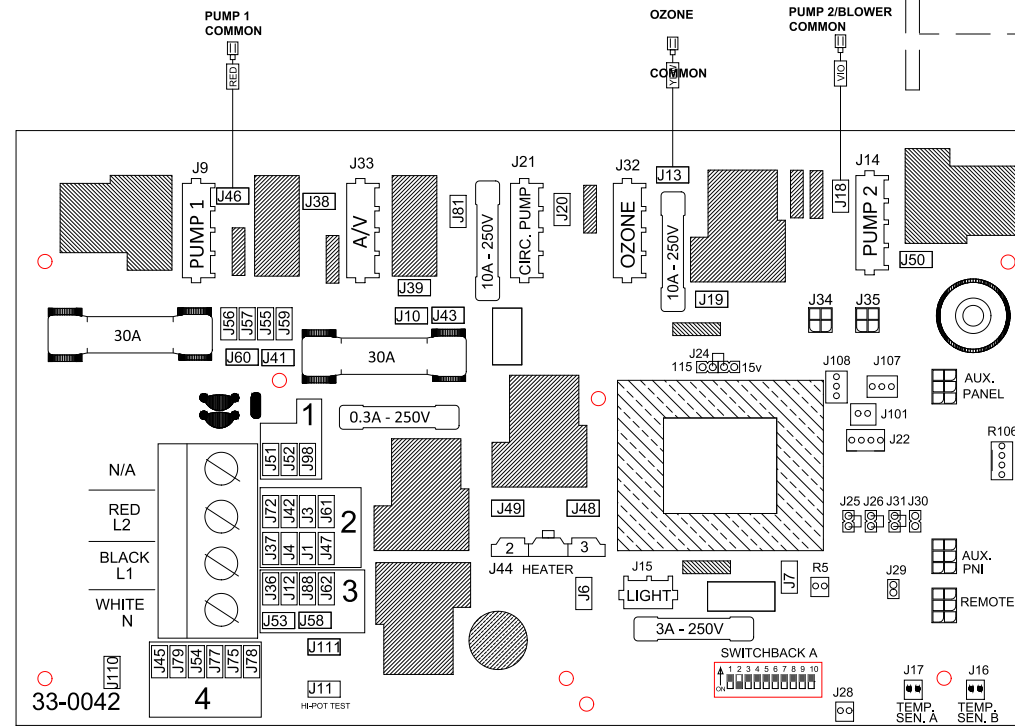


**TO CONVERT CIRCUIT 120V OR 240V MOVE WHITE WIRE ACCORDINGLY**  
**120V COMPONENT = OPEN POSITION AT CONNECTION BLOCK #4**  
**240V COMPONENT = OPEN POSITION AT CONNECTION BLOCK #2**

26-0053-M7-F - 5.5kW Heater



**CONFIGURATION OPTIONS**

**DEFAULT/FACTORY CONFIGURATION:** PUMP 1=2-SPEED, PUMP 2=1-SPEED, BLOWER

**OPTION 1 - 2 SPEED PUMP #2 & BLOWER:** PUMP #2 PLUGS INTO AUX PCB (J1). BLOWER THEN PLUGS INTO PUMP 2 (J14).

**OPTION 2 - 2-SPEED PUMP #2 & PUMP #3:** PUMP #2 PLUGS INTO (J14). PUMP #3 PLUGS INTO AUX PCB (J1).

**OPTION 3 - 1-SPEED PUMP #2, BLOWER & PUMP #3:** PUMP #2 & BLOWER PLUGS INTO AUX PCB SPLITTER CONNECTED TO (J1). PUMP #3 THEN PLUGS INTO PUMP 2 (J14).

**\*\*SEE INSTALLATION MANUAL FOR DIP SWITCH SETTINGS\*\***

**HYDRO-QUIP**  
CORONA, CA (951) 273-7575

Manufacture Notes:

Dwg. No. **G822A0-KLPQY-J**

Drawn **MBS** Rev **01**  
Date **07.28.14**  
Diagram No. **5182**

**Wire Color Code**

B - Black	G - Green
Br - Brown	Bl - Blue
R - Red	V - Violet
O - Orange	W - White
Y - Yellow	Gr - Gray