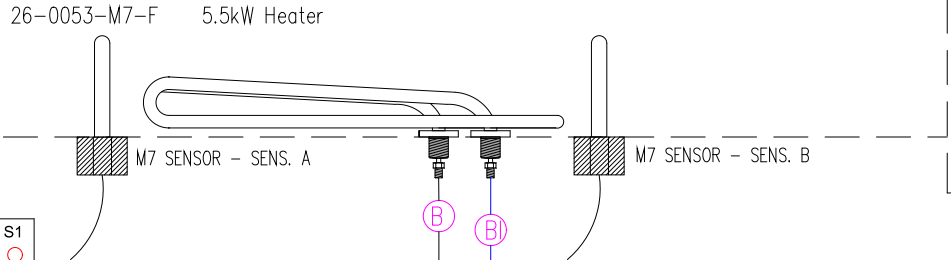
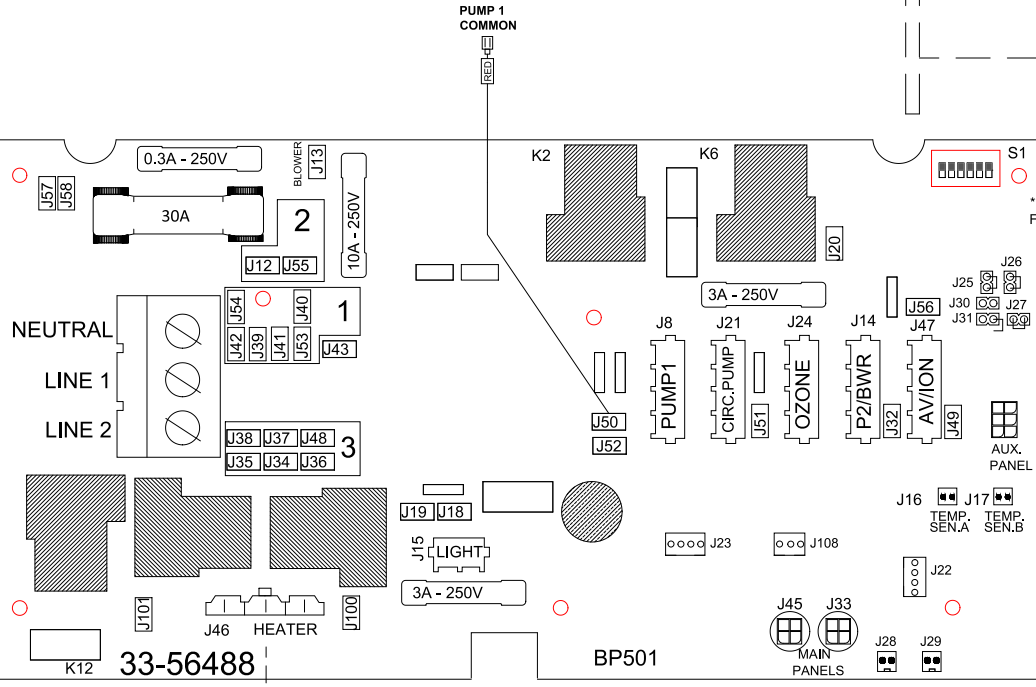
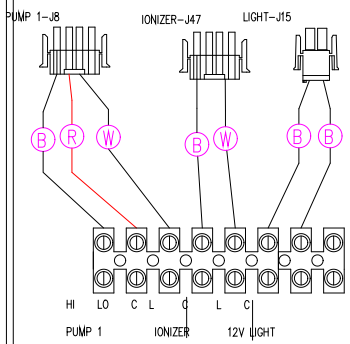


TO CONVERT CIRCUIT 120V OR 240V MOVE WHITE WIRE ACCORDINGLY
 120V COMPONENT = OPEN POSITION AT CONNECTION BLOCK #1
 240V COMPONENT = OPEN POSITION AT CONNECTION BLOCK #3



SEE OWNERS DOCUMENTATION FOR DIP SWITCH INFORMATION

GND



COMPONENT CONNECTION STRIP - USE COPPER CONDUCTORS ONLY

ALL COMPONENTS MUST BE GROUNDED

HYDRO-QUIP
 CORONA, CA (951) 273-7575

Manufacture Notes:

Dwg. No.
 G822A0-KLPQY-J

Drawn MO
 Date 03.14.17
 Rev 04
 Diagram No. 5180

Wire Color Code
 B - Black G - Green
 Br - Brown BI - Blue
 R - Red V - Violet
 O - Orange W - White
 Y - Yellow Gr - Gray