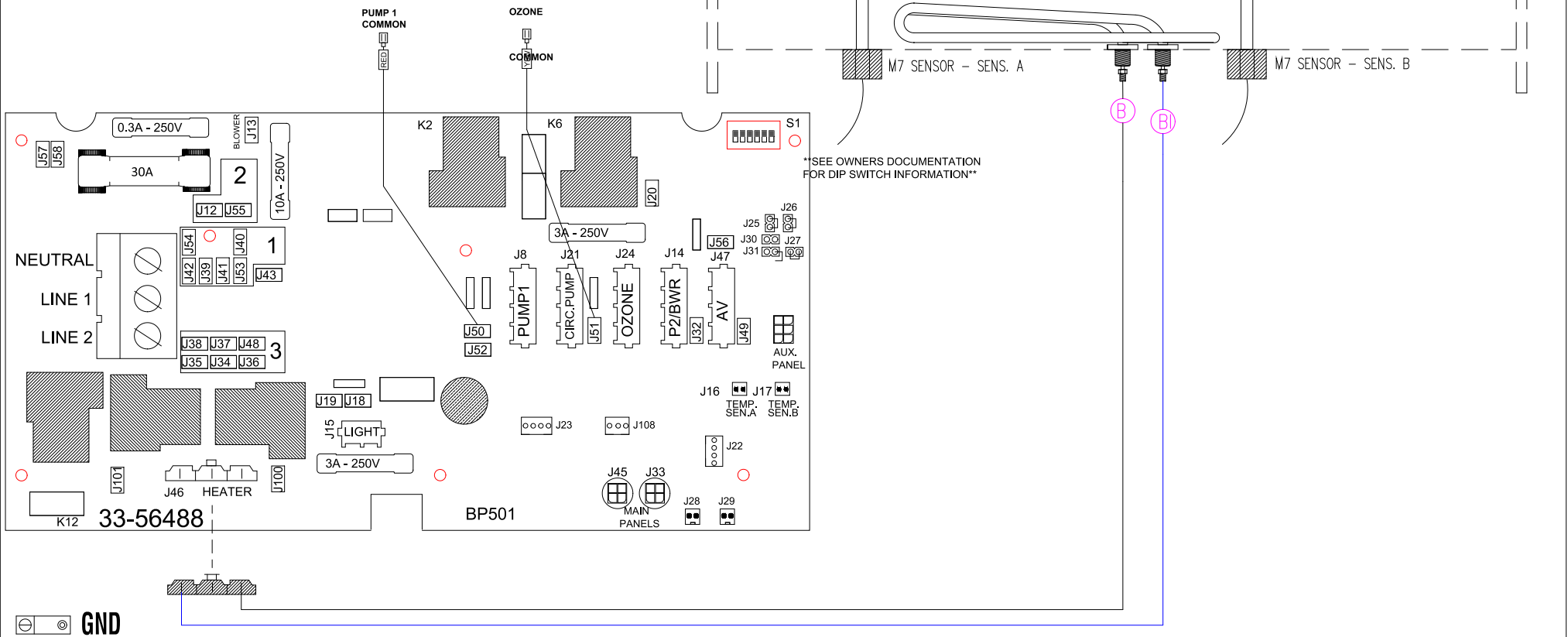
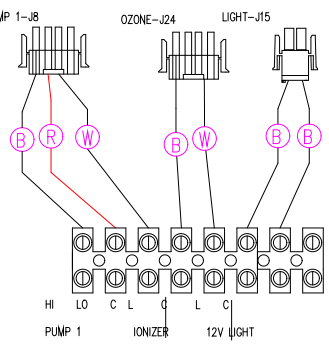


TO CONVERT CIRCUIT 120 OR 240V MOVE WHITE WIRE ACCORDINGLY
 120V COMPONENT = OPEN POSITION AT CONNECTION BLOCK #1
 240V COMPONENT = OPEN POSITION AT CONNECTION BLOCK #3



26-0053-M7-F 5.5kW Heater

SEE OWNERS DOCUMENTATION FOR DIP SWITCH INFORMATION



COMPONENT CONNECTION STRIP - USE COPPER CONDUCTORS ONLY

ALL COMPONENTS MUST BE GROUNDED

HYDRO-QUIP
 CORONA, CA (951) 273-7575

Manufacture Notes:

Dwg. No.
G822A0-KLPQY-J

Drawn	MO	Rev	03
Date	11.11.15		
Diagram No.	5180		

Wire Color Code

B - Black	G - Green
Br - Brown	Bl - Blue
R - Red	V - Violet
O - Orange	W - White
Y - Yellow	Gr - Gray