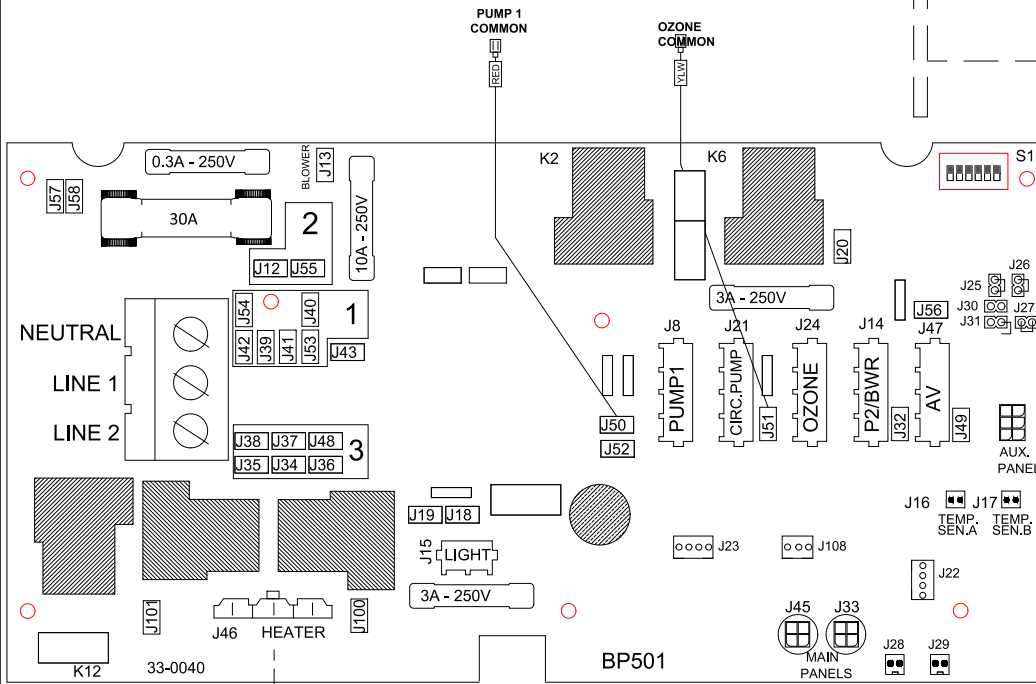


TO CONVERT CIRCUIT 120V OR 240V MOVE WHITE WIRE ACCORDINGLY  
 120V COMPONENT = OPEN POSITION AT CONNECTION BLOCK #1  
 240V COMPONENT = OPEN POSITION AT CONNECTION BLOCK #3



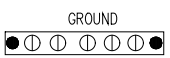
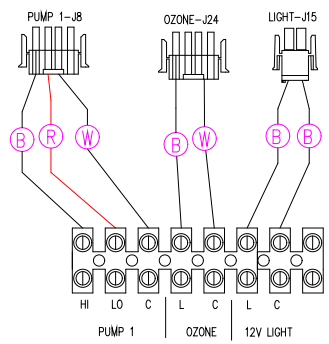
26-0053-M7-F - 5.5kW Heater

M7 SENSOR - SENS. A

M7 SENSOR - SENS. B

\*\*SEE OWNERS DOCUMENTATION FOR DIP SWITCH INFORMATION\*\*

GND



COMPONENT CONNECTION STRIP - USE COPPER CONDUCTORS ONLY

\*\*ALL COMPONENTS MUST BE GROUNDED\*\*

**HYDRO-QUIP**  
 CORONA, CA (951) 273-7575

Manufacture Notes:

Dwg. No.  
**G822A0-KLPQY-J**

Drawn MBS Rev 01  
 Date 07.22.14  
 Diagram No. **5180**

Wire Color Code  
 B - Black G - Green  
 Br - Brown Bl - Blue  
 R - Red V - Violet  
 O - Orange W - White  
 Y - Yellow Gr - Gray