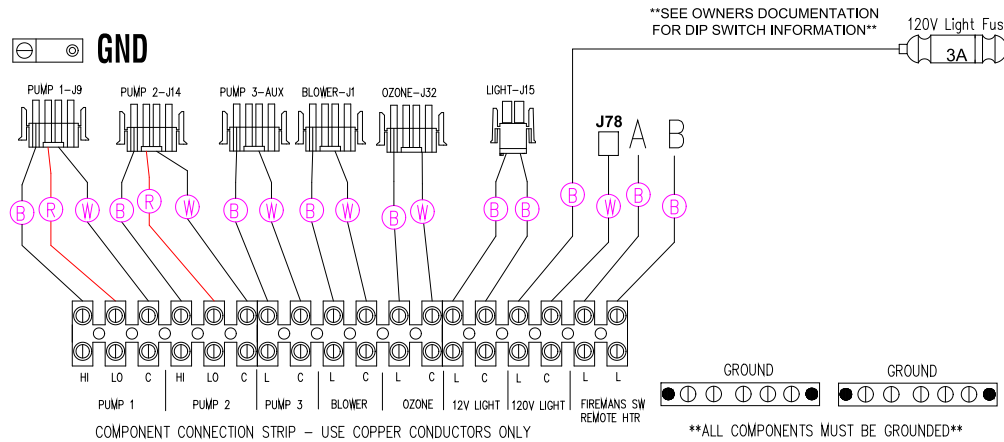
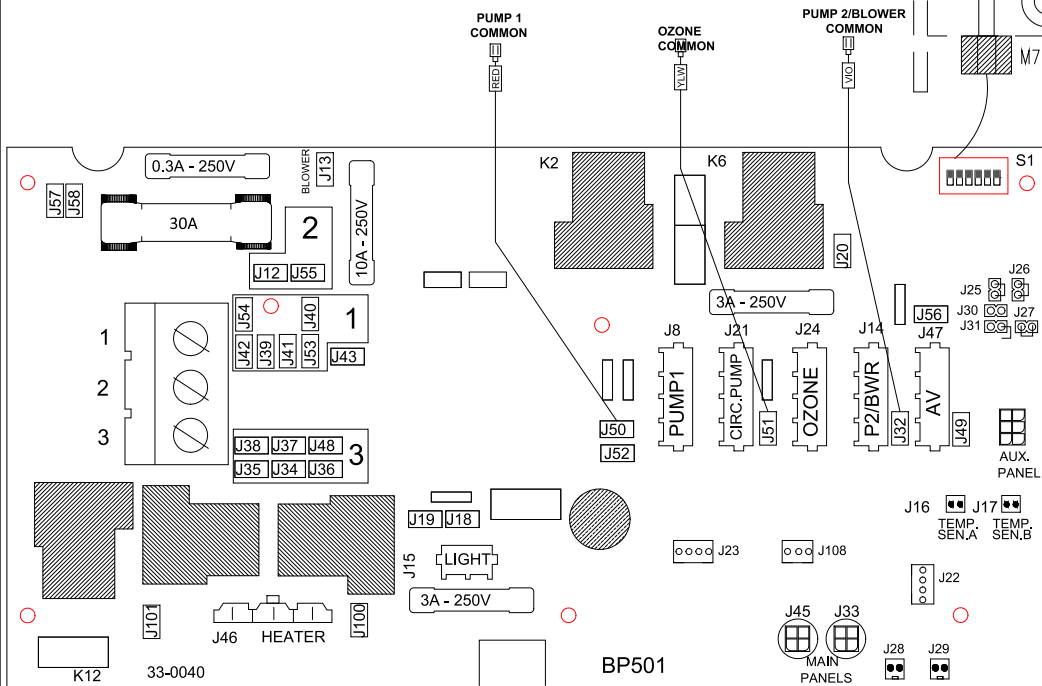
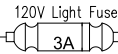


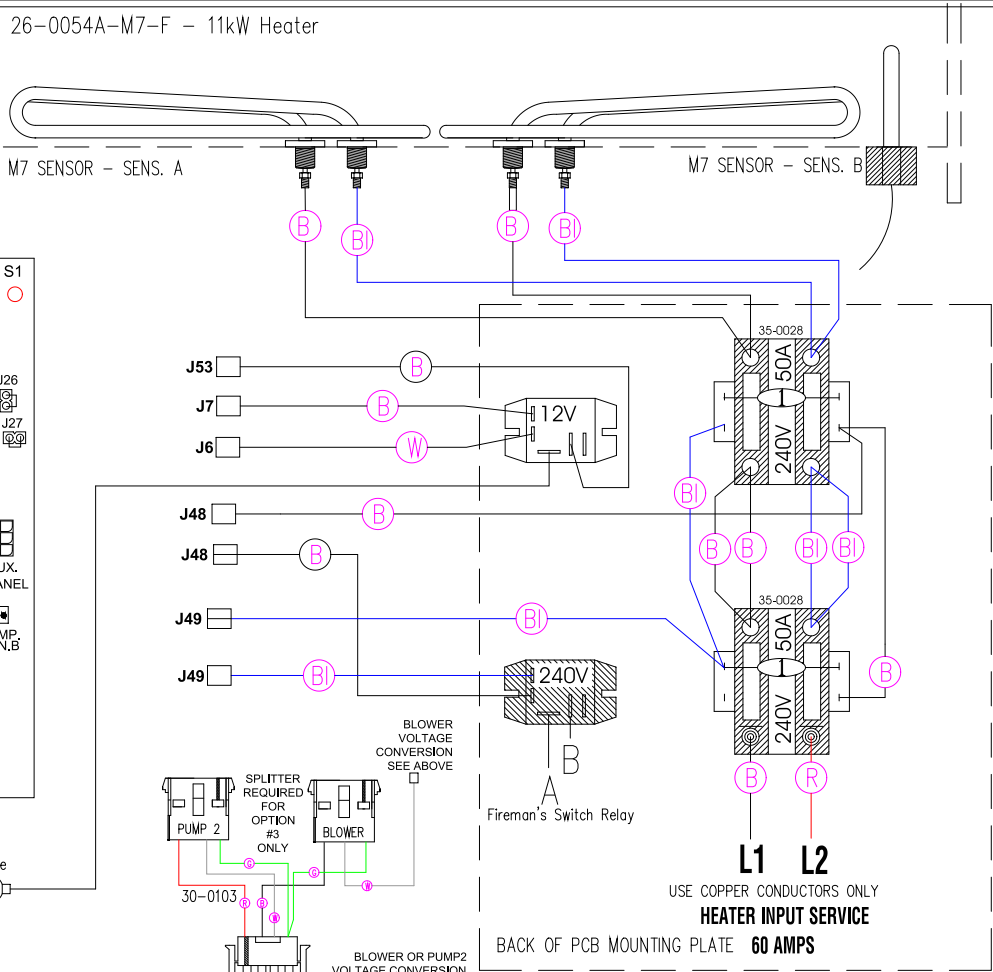
TO CONVERT CIRCUIT 120 OR 240V MOVE WHITE WIRE ACCORDINGLY  
 120V COMPONENT = OPEN POSITION AT CONNECTION BLOCK #1  
 240V COMPONENT = OPEN POSITION AT CONNECTION BLOCK #3



\*\*SEE OWNERS DOCUMENTATION FOR DIP SWITCH INFORMATION\*\*



\*\*ALL COMPONENTS MUST BE GROUNDED\*\*



USE COPPER CONDUCTORS ONLY  
**HEATER INPUT SERVICE**  
 BACK OF PCB MOUNTING PLATE **60 AMPS**

**CONFIGURATION OPTIONS**

**DEFAULT/FACTORY CONFIGURATION:** PUMP 1=2-SPEED, PUMP 2=1-SPEED, BLOWER

**OPTION 1 - 2 SPEED PUMP #2 & BLOWER:** PUMP #2 PLUGS INTO AUX PCB (J1). BLOWER THEN PLUGS INTO PUMP 2 (J14).

**OPTION 2 - 2-SPEED PUMP #2 & PUMP #3:** PUMP #2 PLUGS INTO (J14). PUMP #3 PLUGS INTO AUX PCB (J1).

**OPTION 3 - 1-SPEED PUMP #2, BLOWER & PUMP #3:** PUMP #2 & BLOWER PLUGS INTO AUX PCB SPLITTER CONNECTED TO (J1). PUMP #3 THEN PLUGS INTO PUMP 2 (J14).

**\*\*SEE INSTALLATION MANUAL FOR DIP SWITCH SETTINGS\*\***

**HYDRO-QUIP**  
 CORONA, CA (951) 273-7575

Manufacture Notes:

Dwg. No.  
**G822A0-KLPQY-J**

Drawn MBS  
 Rev 01  
 Date 07.22.14  
 Diagram No. 5179

Wire Color Code	
B - Black	G - Green
Br - Brown	Bl - Blue
R - Red	V - Violet
O - Orange	W - White
Y - Yellow	Gr - Gray

**DIP SWITCHES & PERSISTANT MEMORY:** TO MAKE CHANGES TO THE CONFIGURATION DIP SWITCHES PERSISTANT MEMORY MUST BE RESET. 1) POWER SYSTEM OFF, 2)TURN SWITCH A12 "ON" AND MAKE DESIRED CHANGES TO THE DIP-SWITCH(S), 3) POWER SYSTEM BACK ON, LET THE SYSTEM BOOT UP COMPLETELY, CHECK THAT DESIRED CHANGES WERE MADE, 4) POWER SYSTEM OFF AND TURN SWITCH A12 "OFF" (IF USING A NON-CONDUCTIVE TOOL THE SWITCH MAY BE TURNED OFF WHILE THE POWER IS ON)