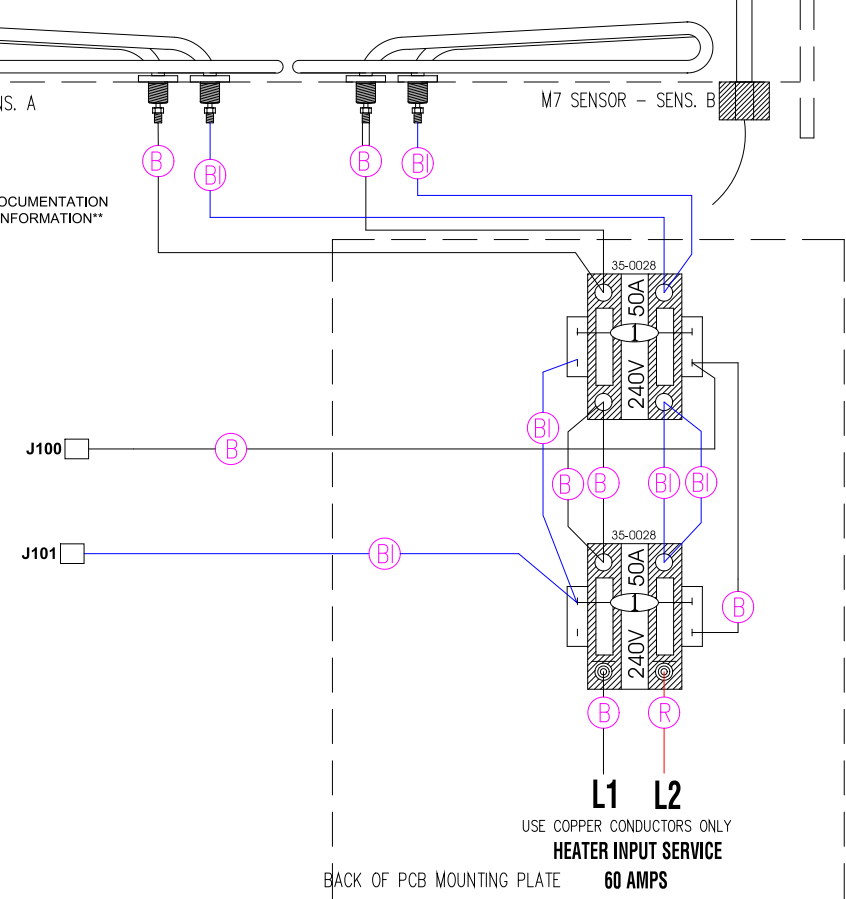
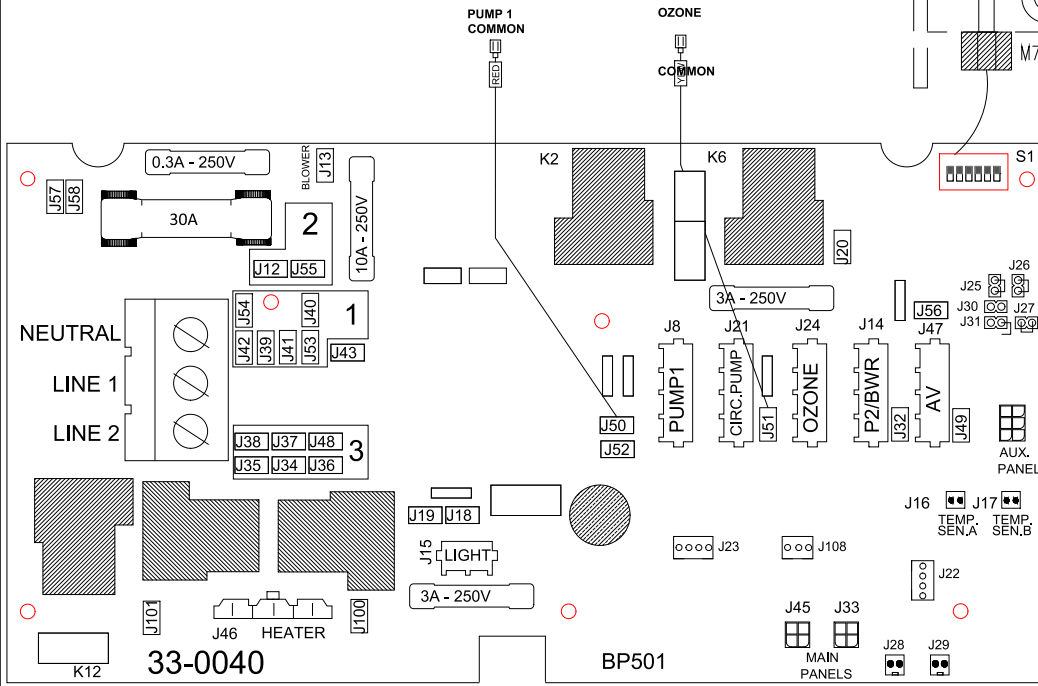
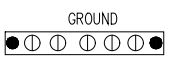
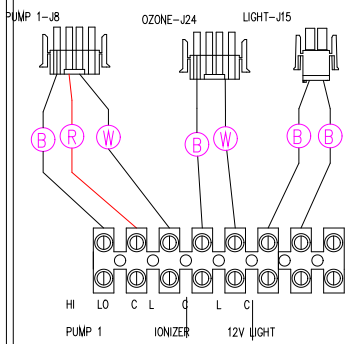


TO CONVERT CIRCUIT 120V OR 240V MOVE WHITE WIRE ACCORDINGLY  
 120V COMPONENT = OPEN POSITION AT CONNECTION BLOCK #1  
 240V COMPONENT = OPEN POSITION AT CONNECTION BLOCK #3

26-0054A-M7-F - 11kW Heater



GND



COMPONENT CONNECTION STRIP - USE COPPER CONDUCTORS ONLY

\*\*ALL COMPONENTS MUST BE GROUNDED\*\*

HYDRO-QUIP  
 CORONA, CA (951) 273-7575

Manufacture Notes:

Dwg. No.  
 G822A0-KLPQY-J

Drawn MBS  
 Date 06.24.15  
 Diagram No. 5178

Rev 02

Wire Color Code  
 B - Black G - Green  
 Br - Brown Bl - Blue  
 R - Red V - Violet  
 O - Orange W - White  
 Y - Yellow Gr - Gray