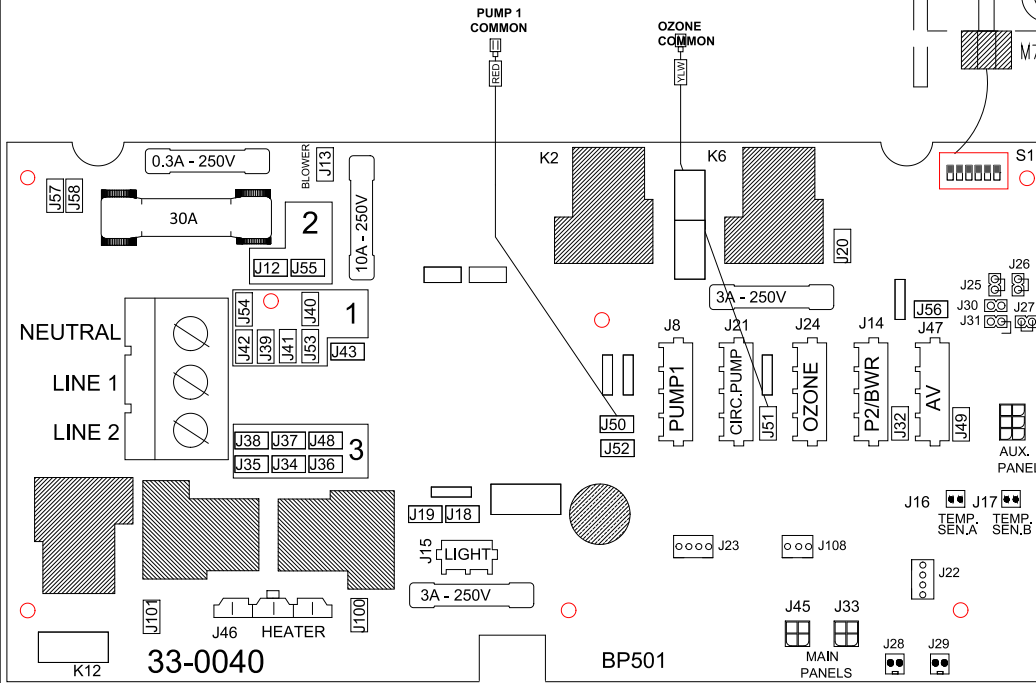
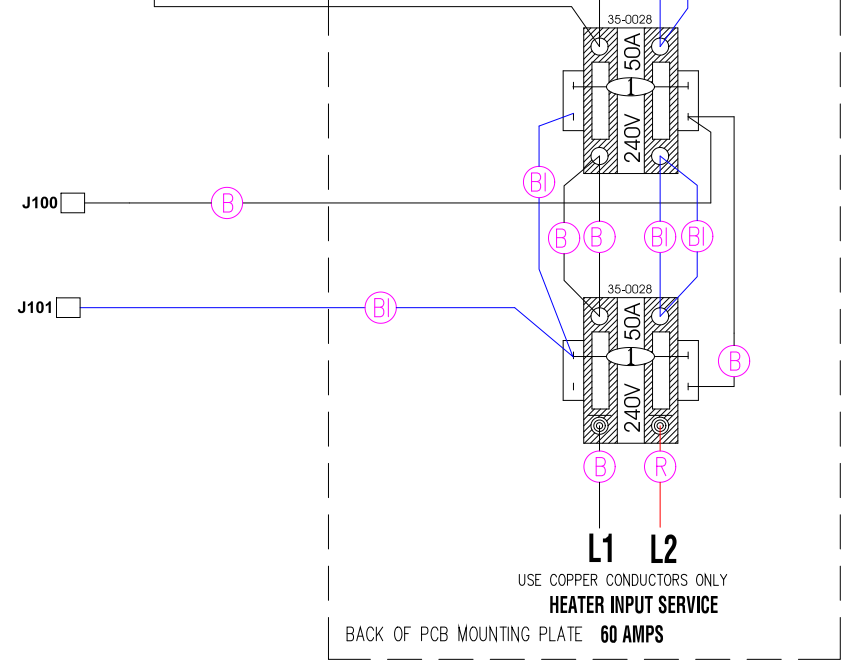


TO CONVERT CIRCUIT 120V OR 240V MOVE WHITE WIRE ACCORDINGLY
 120V COMPONENT = OPEN POSITION AT CONNECTION BLOCK #1
 240V COMPONENT = OPEN POSITION AT CONNECTION BLOCK #3

26-0054A-M7-F - 11kW Heater



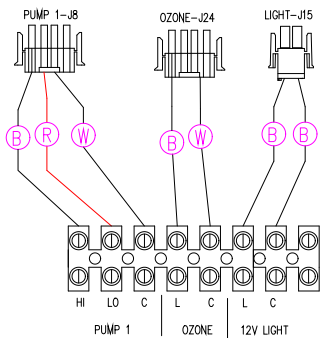
SEE OWNERS DOCUMENTATION FOR DIP SWITCH INFORMATION



USE COPPER CONDUCTORS ONLY
 HEATER INPUT SERVICE

BACK OF PCB MOUNTING PLATE 60 AMPS

GND



COMPONENT CONNECTION STRIP - USE COPPER CONDUCTORS ONLY

ALL COMPONENTS MUST BE GROUNDED

HYDRO-QUIP
 CORONA, CA (951) 273-7575

Manufacture Notes:

Dwg. No.
 G822A0-KLPQY-J

Drawn MBS
 Date 07.22.14
 Diagram No. 5178

Rev 01
 Wire Color Code

B - Black G - Green
 Br - Brown Bl - Blue
 R - Red V - Violet
 O - Orange W - White
 Y - Yellow Gr - Gray