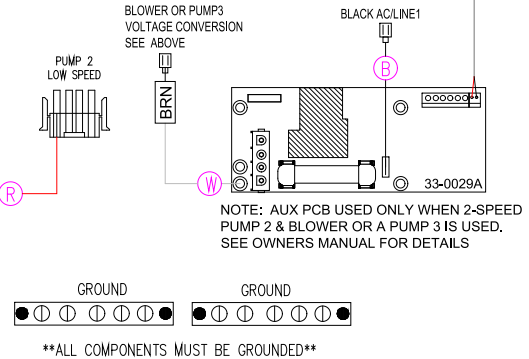
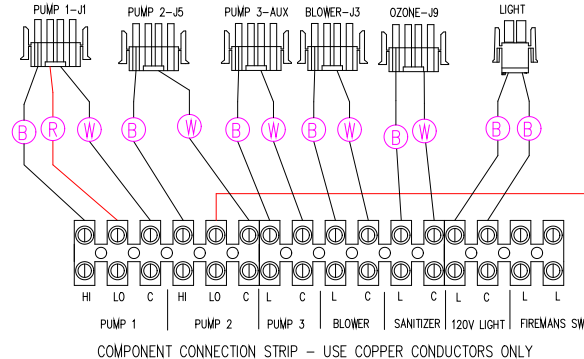
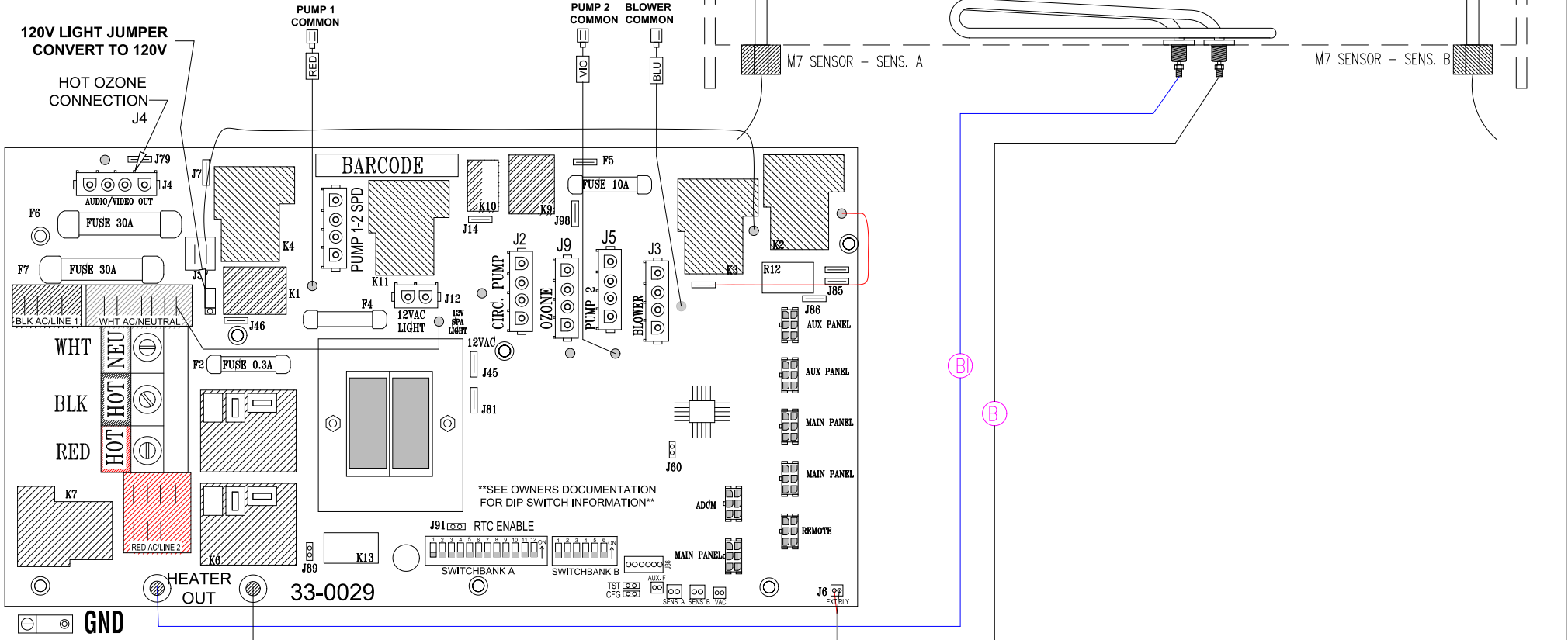


TO CONVERT CIRCUIT 120V OR 240V MOVE WHITE WIRE ACCORDINGLY  
 120V COMPONENT = WHT AC/NEUTRAL  
 240V COMPONENT = RED AC/LINE 2

26-0053-M7 - 5.5kW Heater



**CONFIGURATION OPTIONS**

**DEFAULT/FACTORY CONFIGURATION:** PUMP 1=2-SPEED, PUMP 2=1-SPEED, BLOWER

**OPTION 1 - 2 SPEED PUMP #2 & BLOWER:** PUMP #2 LOW SPEED PLUGS INTO J3. BLOWER PLUGS INTO AUX PCB.

**OPTION 2 - 2-SPEED PUMP #2 & PUMP #3:** PUMP #2 LOW SPEED PLUGS INTO J3. PUMP #3 PLUGS INTO AUX PCB.

**OPTION 3 - 1-SPEED PUMP #2, BLOWER & PUMP #3:** PUMP #3 PLUGS INTO AUX PCB.

**\*\*SEE INSTALLATION MANUAL FOR DIP SWITCH SETTINGS\*\***

**HYDRO-QUIP**  
 CORONA, CA (951) 273-7575

Manufacture Notes:

Dwg. No.  
**G822A0-KLPQY-J**

Drawn  
 MBS  
 Date  
 08.29.13  
 Diagram No.  
 5175

Rev  
 01  
**Wire Color Code**  
 B - Black      G - Green  
 Br - Brown    Bl - Blue  
 R - Red        V - Violet  
 O - Orange    W - White  
 Y - Yellow     Gr - Gray

**DIP SWITCHES & PERSISTANT MEMORY:** TO MAKE CHANGES TO THE CONFIGURATION DIP SWITCHES PERSISTANT MEMORY MUST BE RESET. 1) POWER SYSTEM OFF, 2)TURN SWITCH A12 "ON" AND MAKE DESIRED CHANGES TO THE DIP-SWITCH(S), 3) POWER SYSTEM BACK ON, LET THE SYSTEM BOOT UP COMPLETELY, CHECK THAT DESIRED CHANGES WERE MADE, 4) POWER SYSTEM OFF AND TURN SWITCH A12 "OFF" (IF USING A NON-CONDUCTIVE TOOL THE SWITCH MAY BE TURNED OFF WHILE THE POWER IS ON)

\*\*ALL COMPONENTS MUST BE GROUNDED\*\*