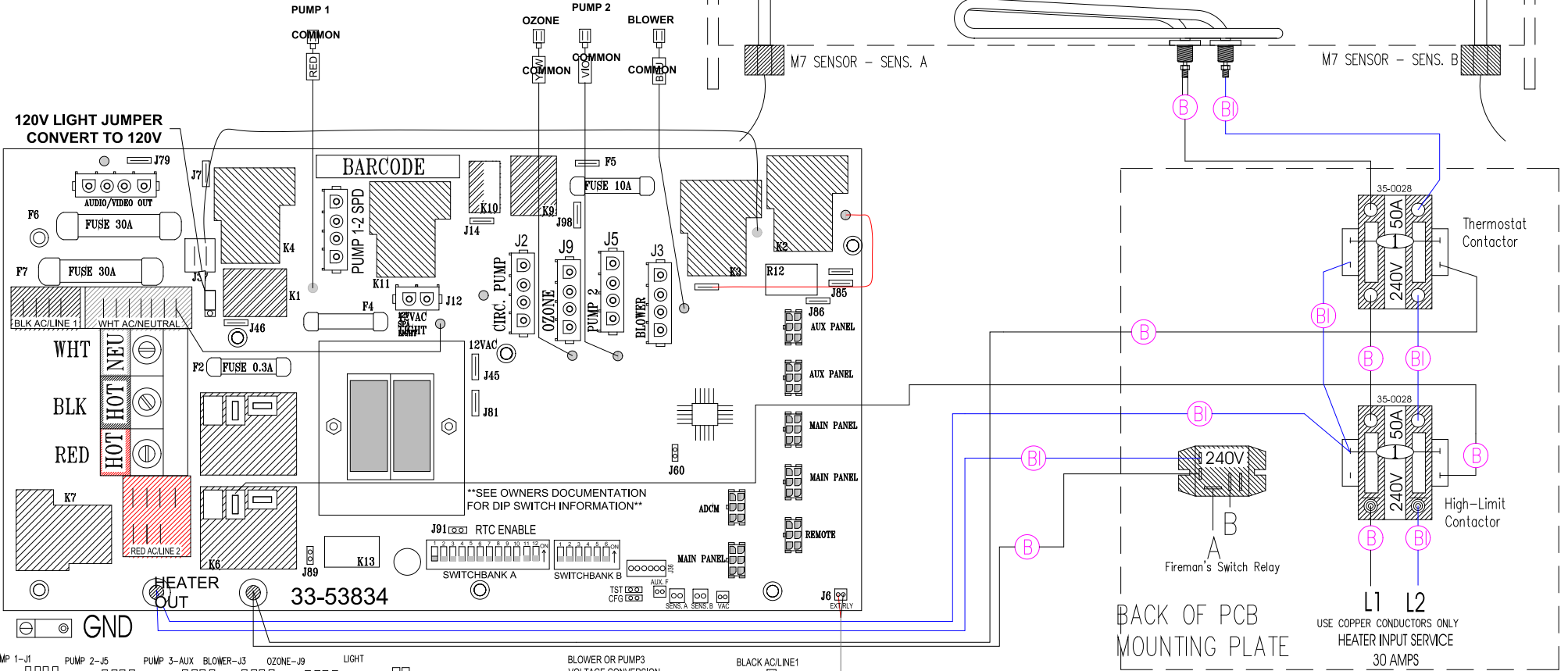


TO CONVERT CIRCUIT 120V OR 240V MOVE WHITE WIRE ACCORDINGLY  
 120V COMPONENT = WHT AC/NEUTRAL  
 240V COMPONENT = RED AC/LINE 2

26-0053-M7 - 5.5kW Heater



**CONFIGURATION OPTIONS**

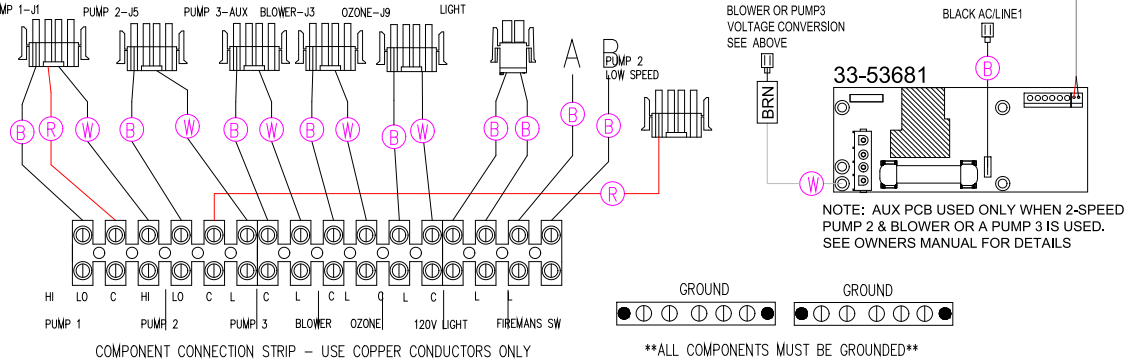
**DEFAULT/FACTORY CONFIGURATION:** PUMP 1=2-SPEED, PUMP 2=1-SPEED, BLOWER

**OPTION 1 - 2 SPEED PUMP #2 & BLOWER:** PUMP #2 LOW SPEED PLUGS INTO J3. BLOWER PLUGS INTO AUX PCB.

**OPTION 2 - 2-SPEED PUMP #2 & PUMP #3:** PUMP #2 LOW SPEED PLUGS INTO J3. PUMP #3 PLUGS INTO AUX PCB.

**OPTION 3 - 1-SPEED PUMP #2, BLOWER & PUMP #3:** PUMP #3 PLUGS INTO AUX PCB.

**\*\*SEE INSTALLATION MANUAL FOR DIP SWITCH SETTINGS\*\***



HYDRO-QUIP  
 CORONA, CA (951) 273-7575

Manufacture Notes:

**DIP SWITCHES & PERSISTANT MEMORY:** TO MAKE CHANGES TO THE CONFIGURATION DIP SWITCHES PERSISTANT MEMORY MUST BE RESET. 1) POWER SYSTEM OFF, 2)TURN SWITCH A12 "ON" AND MAKE DESIRED CHANGES TO THE DIP-SWITCH(S), 3) POWER SYSTEM BACK ON, LET THE SYSTEM BOOT UP COMPLETELY, CHECK THAT DESIRED CHANGES WERE MADE, 4) POWER SYSTEM OFF AND TURN SWITCH A12 "OFF" (IF USING A NON-CONDUCTIVE TOOL THE SWITCH MAY BE TURNED OFF WHILE THE POWER IS ON)

Dwg. No.  
 G822A0-KLPQY-J

Drawn MO  
 Date 11.23.15  
 Diagram No. 5172

Rev 06

**Wire Color Code**

B - Black	G - Green
Br - Brown	Bl - Blue
R - Red	V - Violet
O - Orange	W - White
Y - Yellow	Gr - Gray