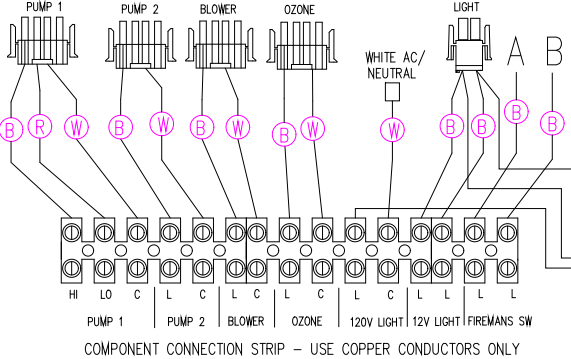
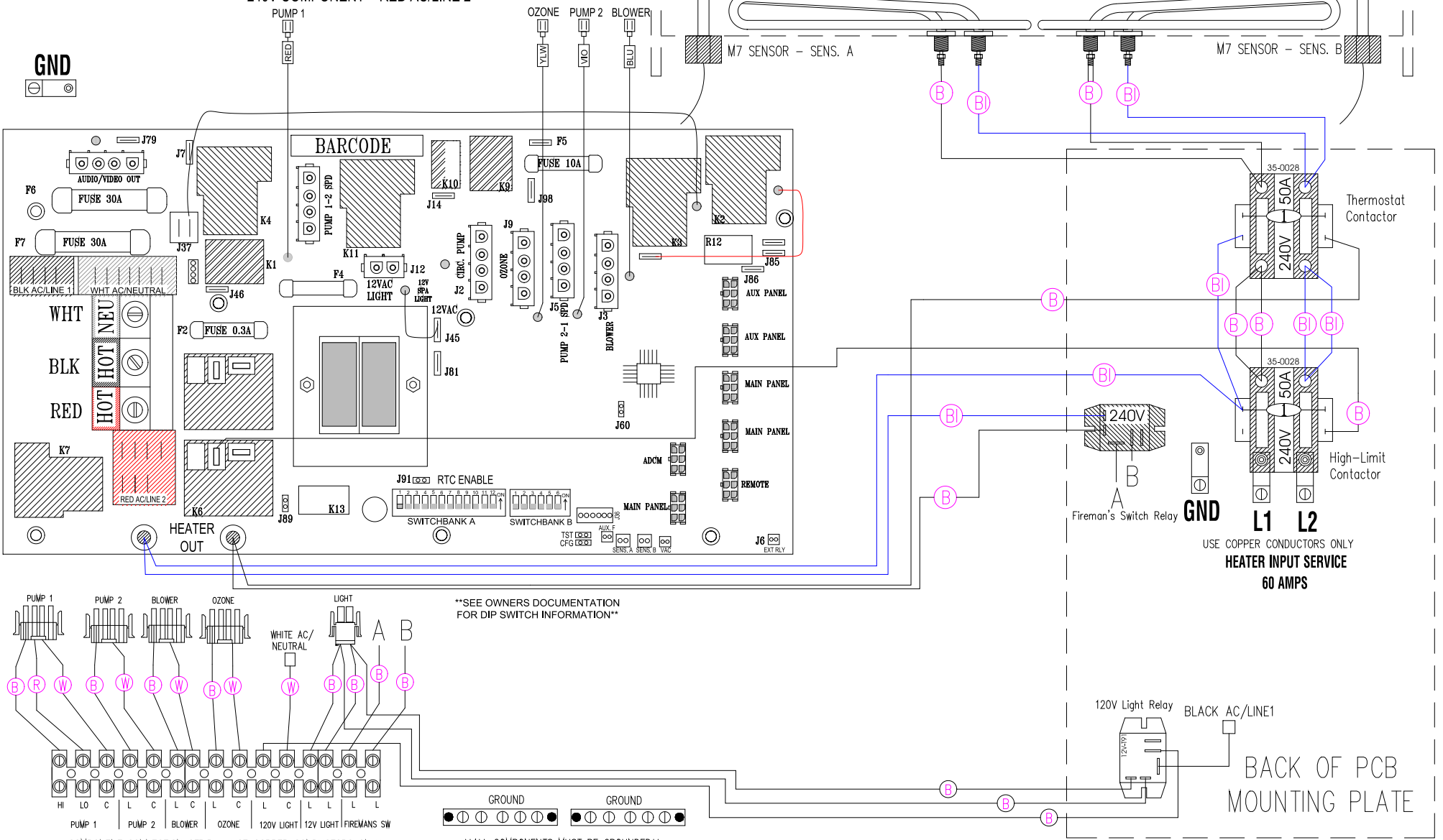


TO CONVERT CIRCUIT 120V OR 240V MOVE WHITE WIRE ACCORDINGLY
 120V COMPONENT = WHT AC/NEUTRAL
 240V COMPONENT = RED AC/LINE 2

26-0054A-M7 - 11kW Heater



SEE OWNERS DOCUMENTATION FOR DIP SWITCH INFORMATION

ALL COMPONENTS MUST BE GROUNDED

HYDRO-QUIP
 CORONA, CA (951) 273-7575

Manufacture Notes:

Dwg. No.
G822A0-KLPQY-J

Drawn MBS
 Date 10.26.11

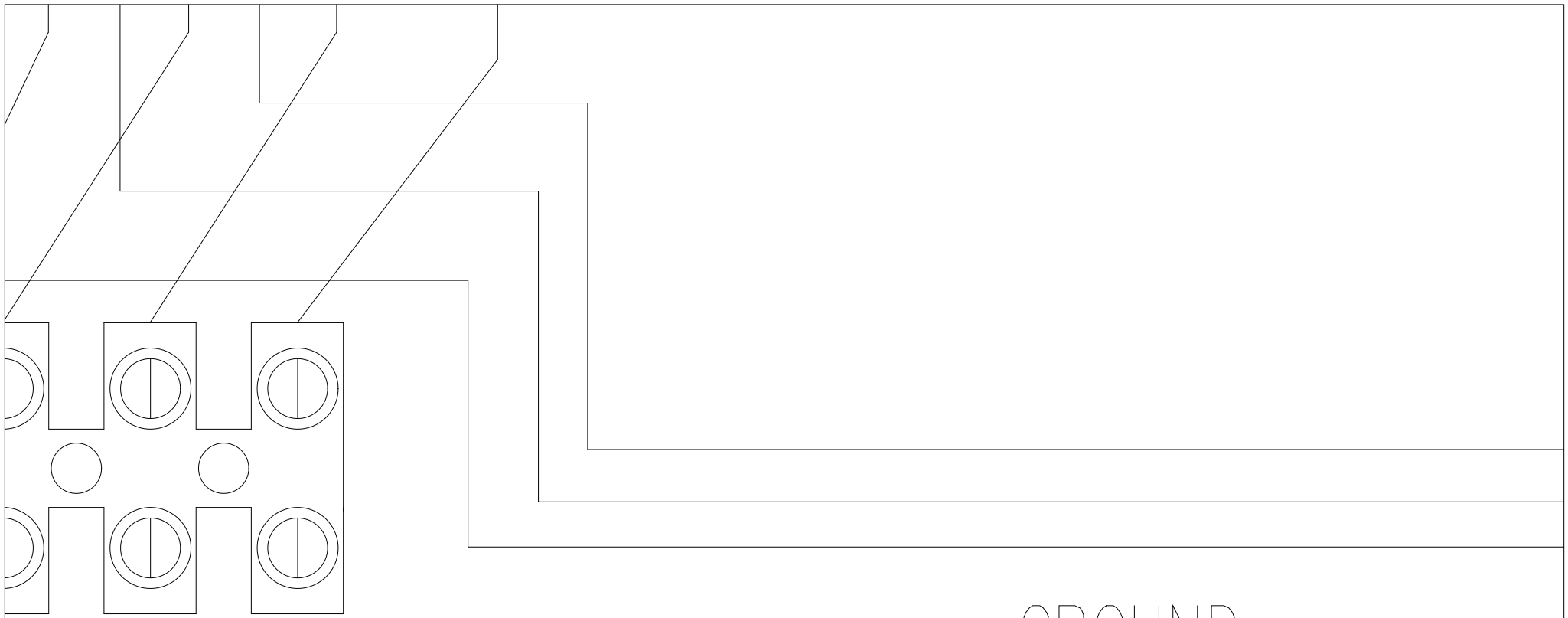
Rev 01

Wire Color Code

DIP SWITCHES & PERSISTANT MEMORY: TO MAKE CHANGES TO THE CONFIGURATION DIP SWITCHES PERSISTANT MEMORY MUST BE RESET. 1) POWER SYSTEM OFF, 2)TURN SWITCH A12 "ON" AND MAKE DESIRED CHANGES TO THE DIP-SWITCH(S), 3) POWER SYSTEM BACK ON, LET THE SYSTEM BOOT UP COMPLETELY, CHECK THAT DESIRED CHANGES WERE MADE, 4) POWER SYSTEM OFF AND TURN SWITCH A12 "OFF" (IF USING A NON-CONDUCTIVE TOOL THE SWITCH MAY BE TURNED OFF WHILE THE POWER IS ON)

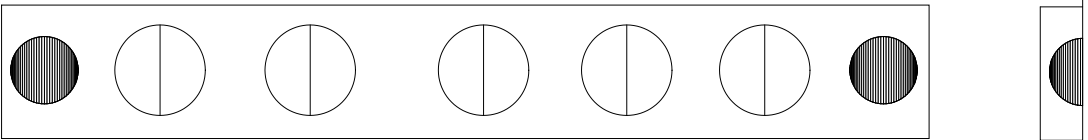
Diagram No.
5169

B - Black
 Br - Brown
 R - Red
 O - Orange
 Y - Yellow
 G - Green
 Bl - Blue
 V - Violet
 W - White
 Gr - Gray



GROUND

L L L
 GHT FIREMANS SW



CTORS ONLY

**ALL COMPONENTS MUS

75

Manufacture Notes: