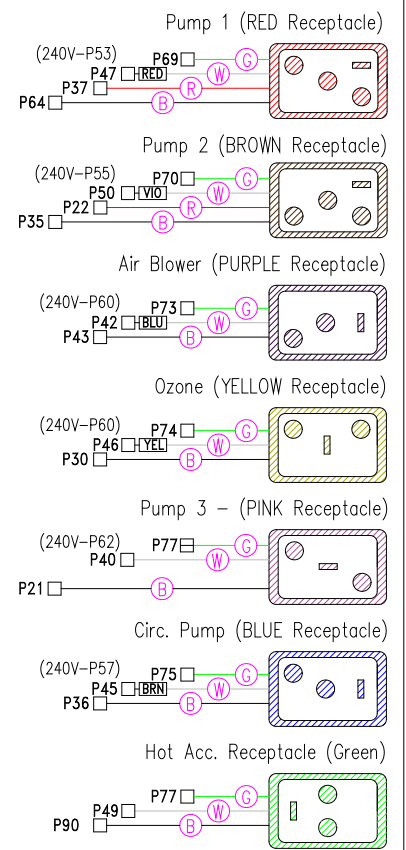
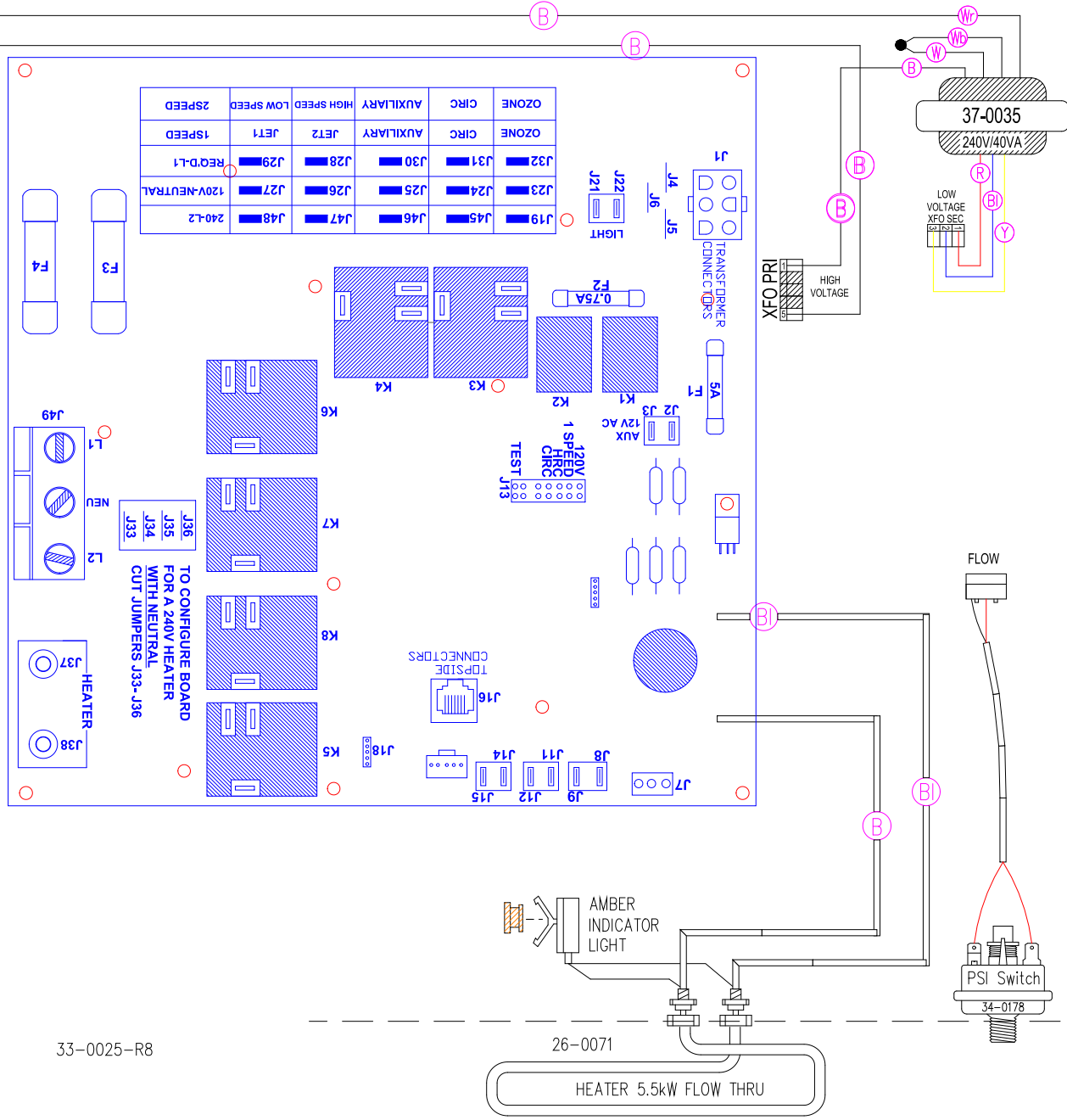
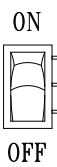
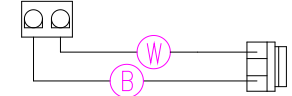


12V Light (White 2-Pin)



HYDRO-QUIP
CORONA, CA (951) 273-7575

Manufacture Notes: EX: RED - DENOTES THE COLOR OF HEAT SHRINK USED.

For 120V Operation:

Drawn: MBS
Date: 02.22.10
Diagram No.: 4442

Wire Color Code	
B - Black	G - Green
Br - Brown	Bl - Blue
R - Red	V - Violet
O - Orange	W - White
Y - Yellow	Gr - Gray