

12V Light (White 2-Pin)

ON  
OFF

**SYSTEM FUSE**

RED INDICATOR LIGHT

**HIGH-LIMIT**

RED INDICATOR LIGHT

**PUMP 1 FUSE**

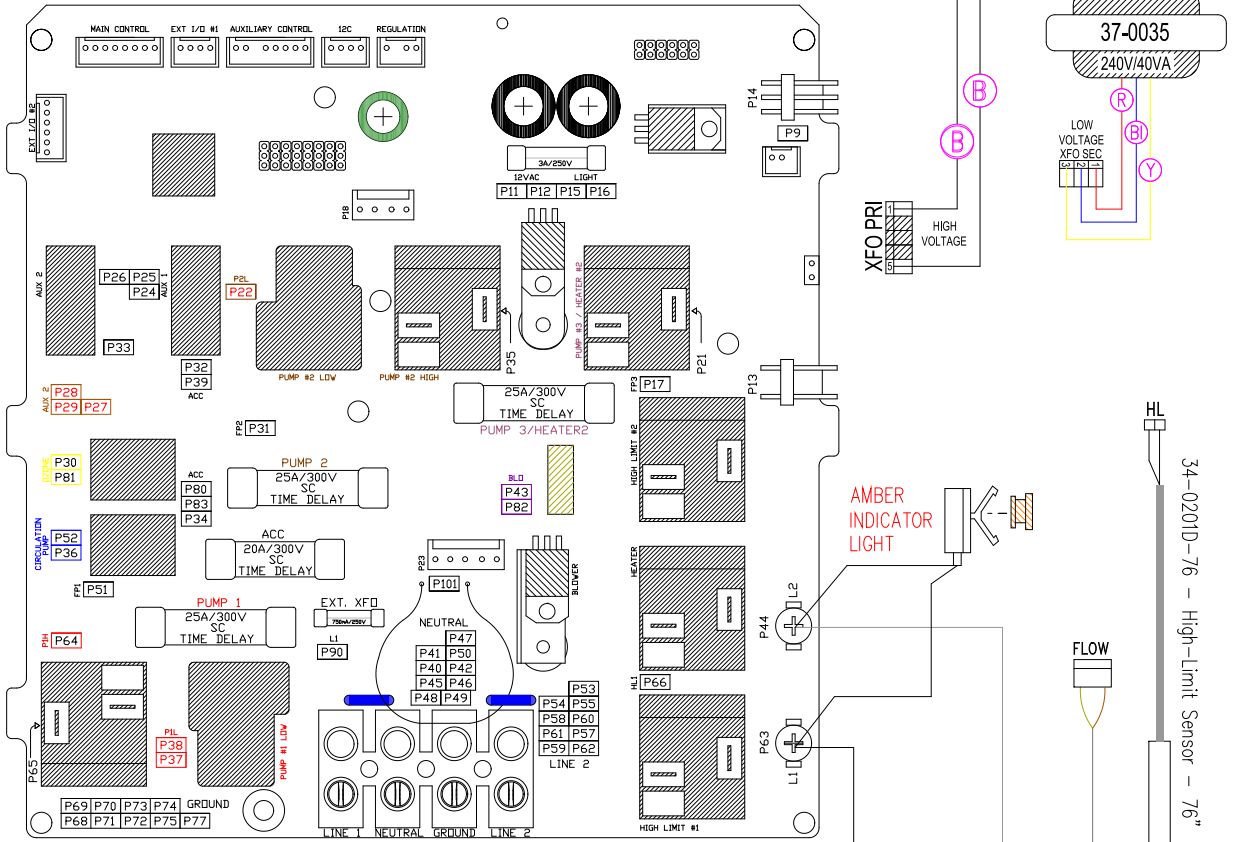
RED INDICATOR LIGHT

**PUMP 2 FUSE**

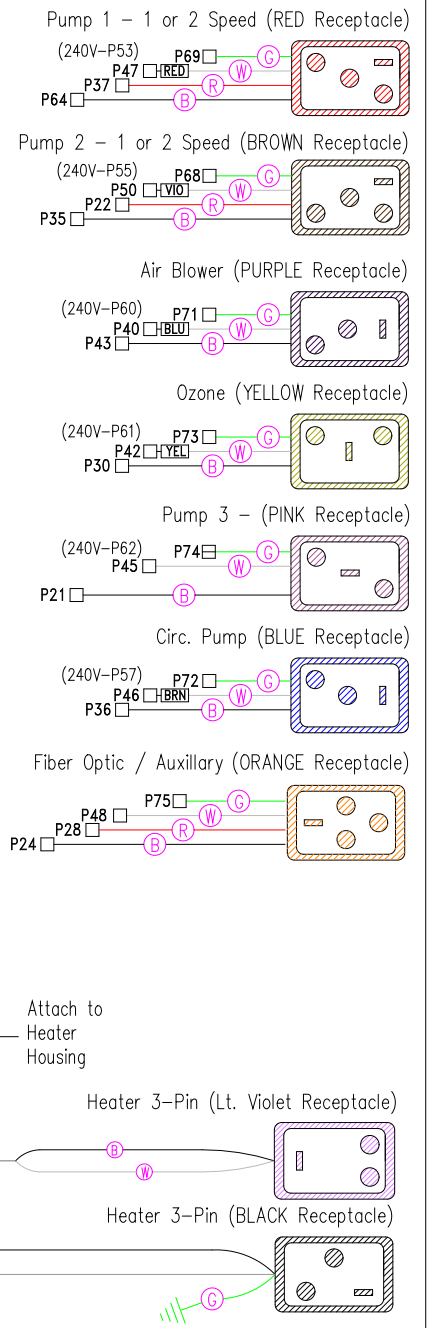
RED INDICATOR LIGHT

**AIR/CIRC/OZ FUSE**

RED INDICATOR LIGHT



33-0025A-R8



**HYDRO-QUIP**  
CORONA, CA (951) 273-7575

Manufacture Notes: EX: RED - DENOTES THE COLOR OF HEAT SHRINK USED.

For 120V Operation:

Drawn MBS	Rev 1	Wire Color Code B - Black      G - Green Br - Brown    Bl - Blue R - Red        V - Violet O - Orange     W - White Y - Yellow     Gr - Gray
Date 03.04.09		
Diagram No. 4435		