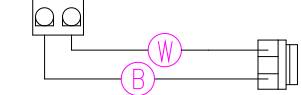


12V Light (White 2-Pin)



ON

OFF

SYSTEM FUSE

RED INDICATOR LIGHT

HIGH-LIMIT

RED INDICATOR LIGHT

PUMP 1 FUSE

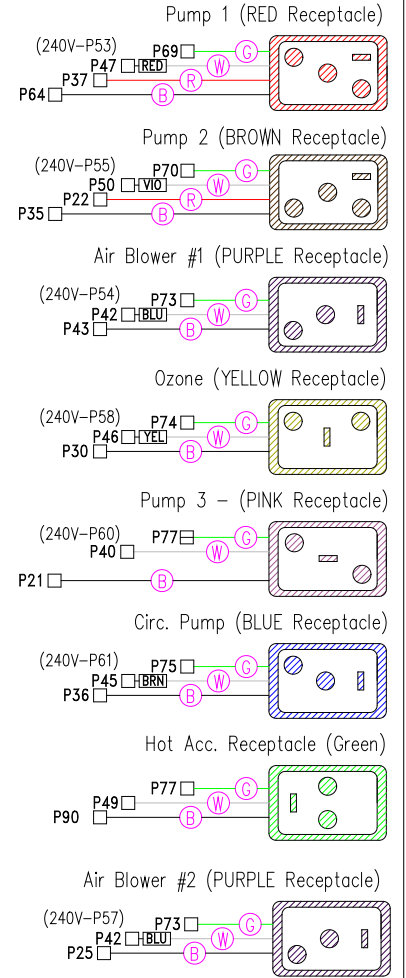
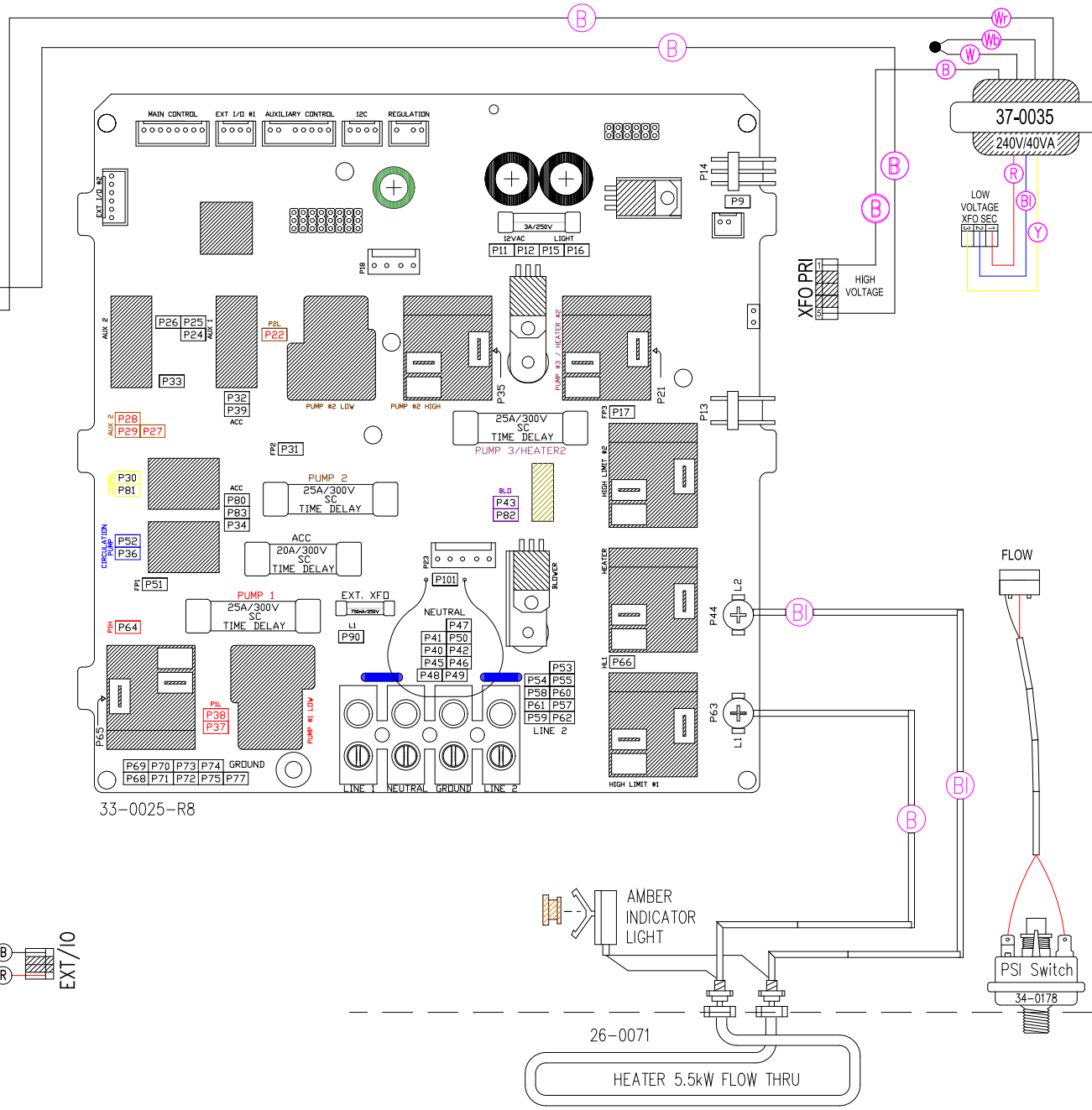
RED INDICATOR LIGHT

PUMP 2 FUSE

RED INDICATOR LIGHT

AIR/CIRC/OZ FUSE

RED INDICATOR LIGHT



HYDRO-QUIP
CORONA, CA (951) 273-7575

Manufacture Notes: EX: RED - DENOTES THE COLOR OF HEAT SHRINK USED.

For 120V Operation:

Drawn	MBS	Rev	1
Date	09.11.08		
Diagram No.	4431SPL		

Wire Color Code

B - Black	G - Green
Br - Brown	BI - Blue
R - Red	V - Violet
O - Orange	W - White
Y - Yellow	Gr - Gray