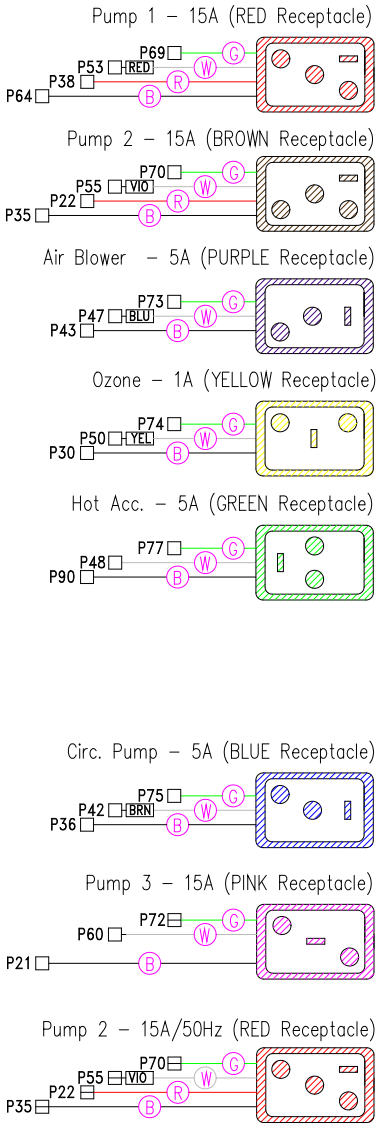
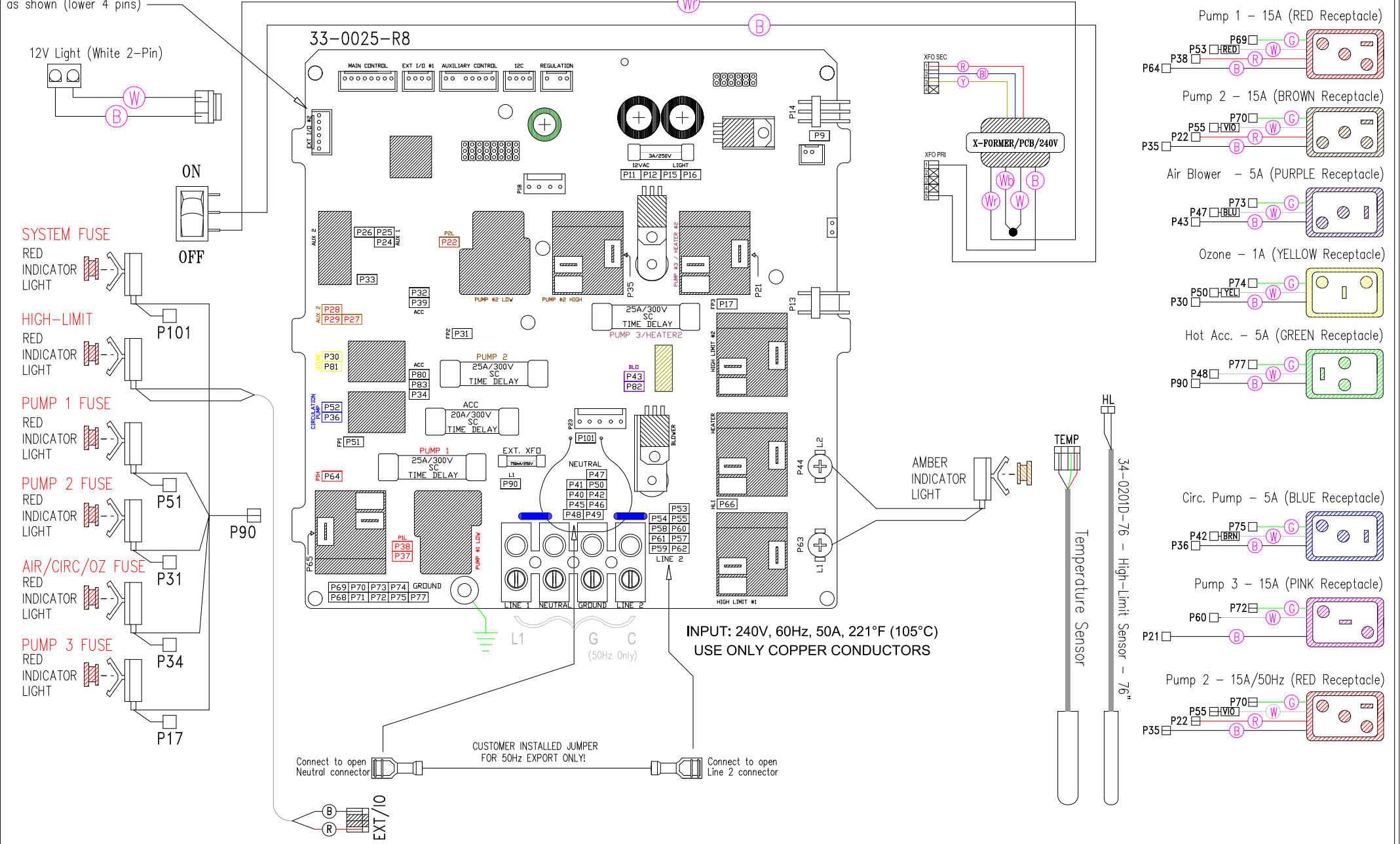


High-Limit LED must be installed as shown (lower 4 pins)



SYSTEM FUSE

RED INDICATOR LIGHT

HIGH-LIMIT

RED INDICATOR LIGHT

PUMP 1 FUSE

RED INDICATOR LIGHT

PUMP 2 FUSE

RED INDICATOR LIGHT

AIR/CIRC/OZ FUSE

RED INDICATOR LIGHT

PUMP 3 FUSE

RED INDICATOR LIGHT

INPUT: 240V, 60Hz, 50A, 221°F (105°C)
USE ONLY COPPER CONDUCTORS

CUSTOMER INSTALLED JUMPER FOR 50Hz EXPORT ONLY!
Connect to open Neutral connector
Connect to open Line 2 connector

HYDRO-QUIP
CORONA, CA (909) 273-7575

Manufacture Notes: EX: RED - DENOTES THE COLOR OF HEAT SHRINK USED.

A 50Hz jumper has been provided for quick conversion to 3-Wire, 240V for export models. Connecting this plug will result in the PCB Neutral becoming L2 (or Common).
Hydro-Quip will not be held responsible for domestic mis-wire as a result of this connection.

Drawn BH	Rev 3	Wire Color Code B - Black Br - Brown R - Red O - Orange Y - Yellow G - Green Bl - Blue V - Violet W - White Gr - Gray
Date 06.05.07		
Diagram No. 4428		