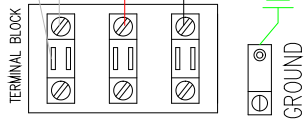


DEFAULT PUMP & SANITIZER VOLTAGE IS 120V

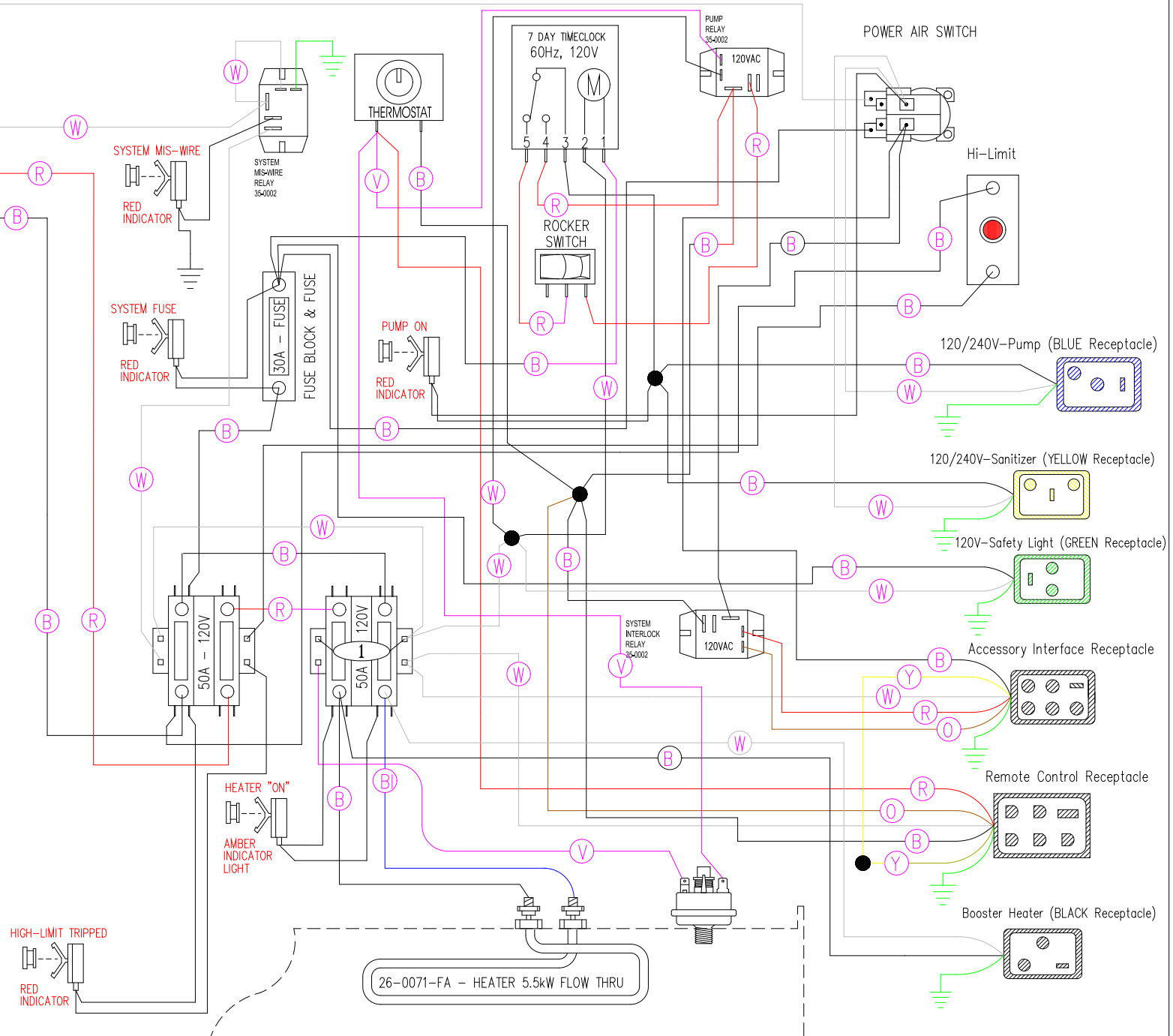
MOVE WHITE WIRE W/RED SHRINK TUBING TO L2 ON TERMINAL BLOCK FOR 240V PUMP & SANITIZER



USE COPPER CONDUCTORS ONLY

- VDS CONFIGURATION
- HEATER "ON"
 - PUMP "ON"
 - CHECK SYSTEM FUSE
 - HIGH-LIMIT TRIPPED
 - SYSTEM MIS-WIRE

Manufacture Notes:



26-0071-FA - HEATER 5.5kW FLOW THRU

Dwg. No. 10000-HKQTY-J	Drawn MBS	Rev 02	Wire Color Code
Date 08.09.16	Diagram No. 2038		B - Black Br - Brown R - Red O - Orange Y - Yellow G - Green Bl - Blue V - Violet W - White Gr - Gray