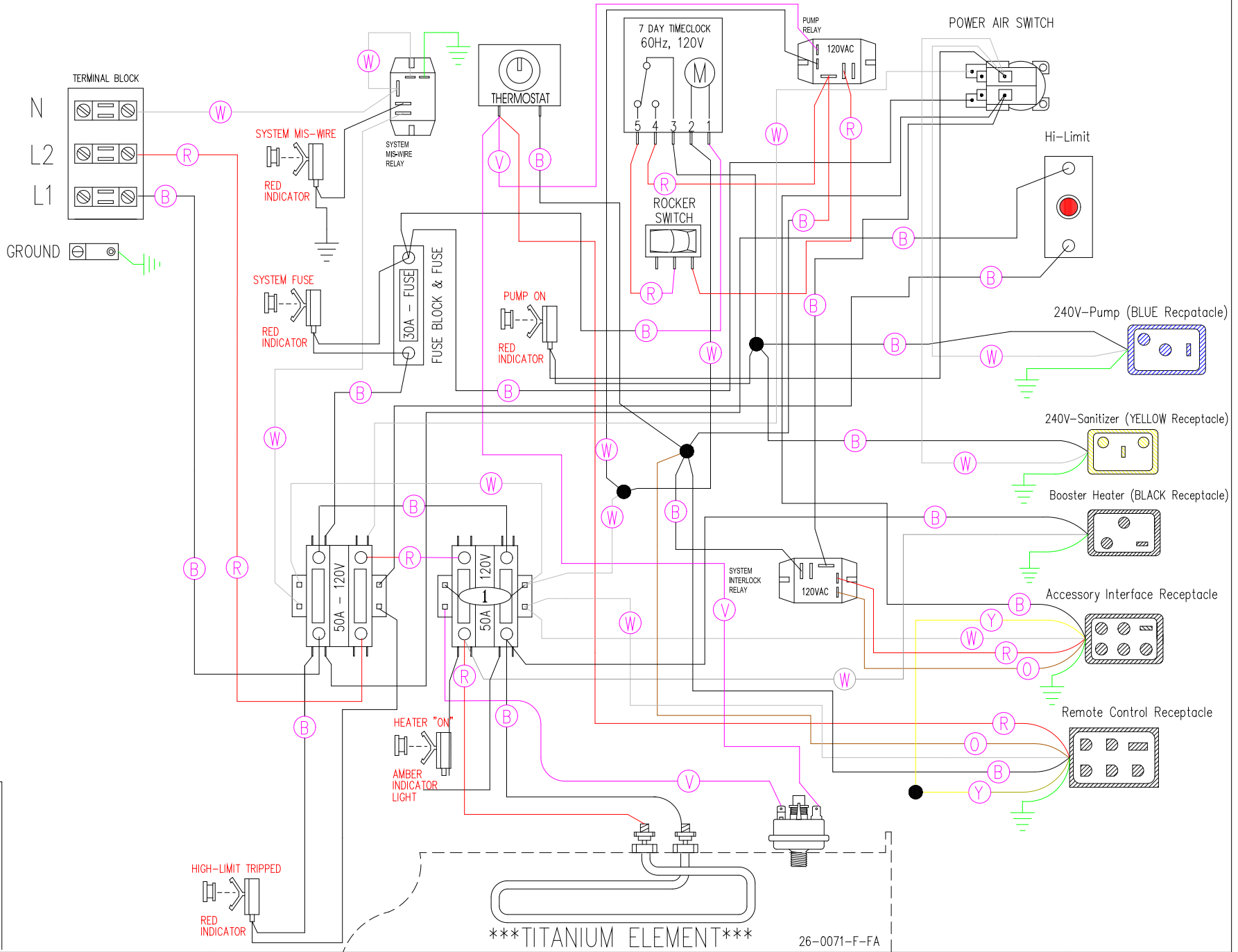


USE COPPER CONDUCTORS ONLY



- VDS CONFIGURATION
- HEATER "ON"
  - PUMP "ON"
  - CHECK SYSTEM FUSE
  - HIGH-LIMIT TRIPPED
  - SYSTEM MIS-WIRE

Manufacture Notes:

Dwg. No. 10000-HKQTY-J	Drawn MBS	Rev 03	Wire Color Code B - Black    G - Green Br - Brown    Bl - Blue R - Red    V - Violet O - Orange    W - White Y - Yellow    Gr - Gray
Date 08.09.16			
Diagram No. 2032			

26-0071-F-FA

\*\*\*TITANIUM ELEMENT\*\*\*