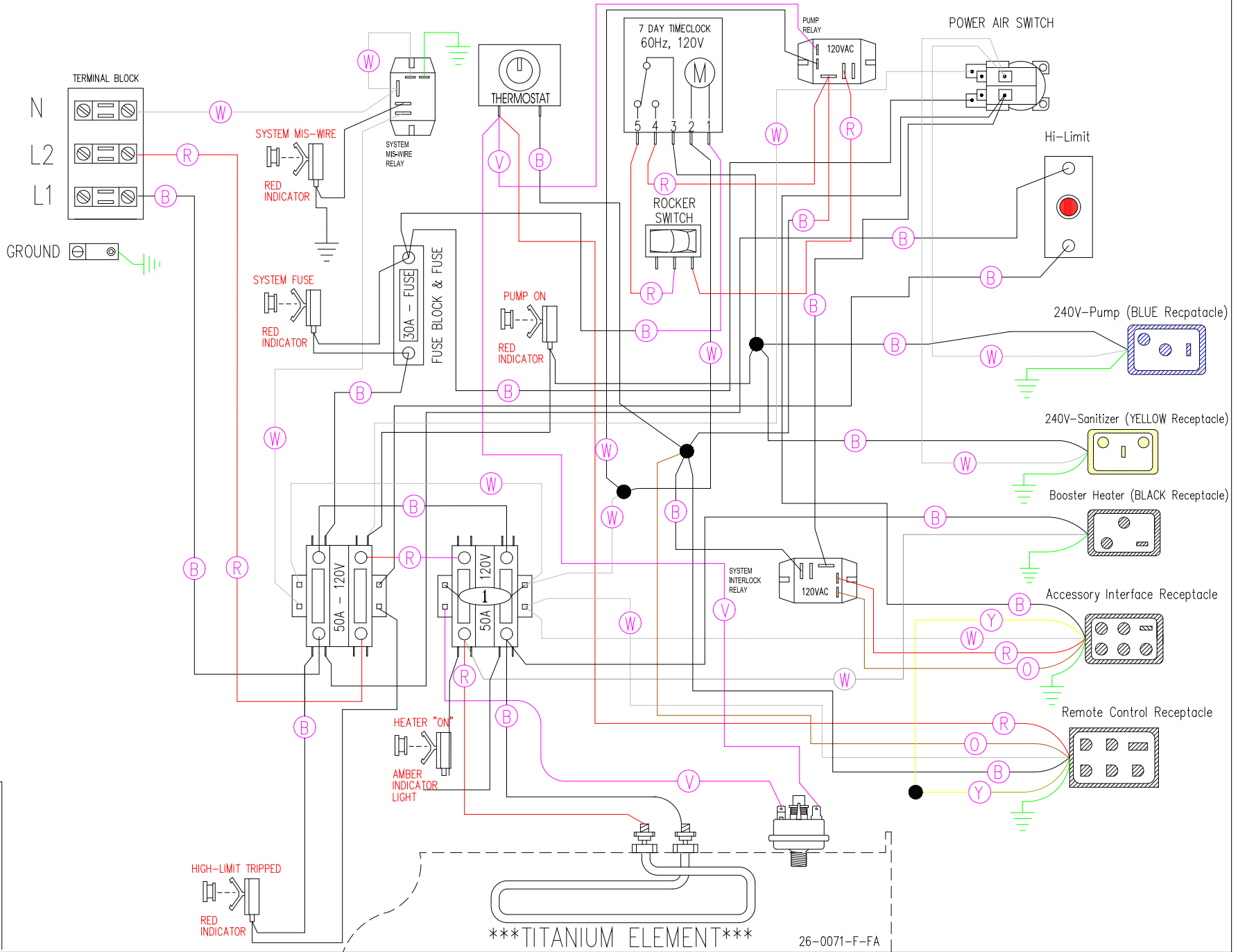


USE COPPER CONDUCTORS ONLY



- VDS CONFIGURATION
- HEATER "ON"
  - PUMP "ON"
  - CHECK SYSTEM FUSE
  - HIGH-LIMIT TRIPPED
  - SYSTEM MIS-WIRE

Manufacture Notes:

Dwg. No.  
10000-HKQTY-J

Drawn  
MBS

Rev  
02

Date  
05.13.15

Diagram No.  
2032

Wire Color Code	
B - Black	G - Green
Br - Brown	Bl - Blue
R - Red	V - Violet
O - Orange	W - White
Y - Yellow	Gr - Gray

26-0071-F-FA

\*\*\*TITANIUM ELEMENT\*\*\*