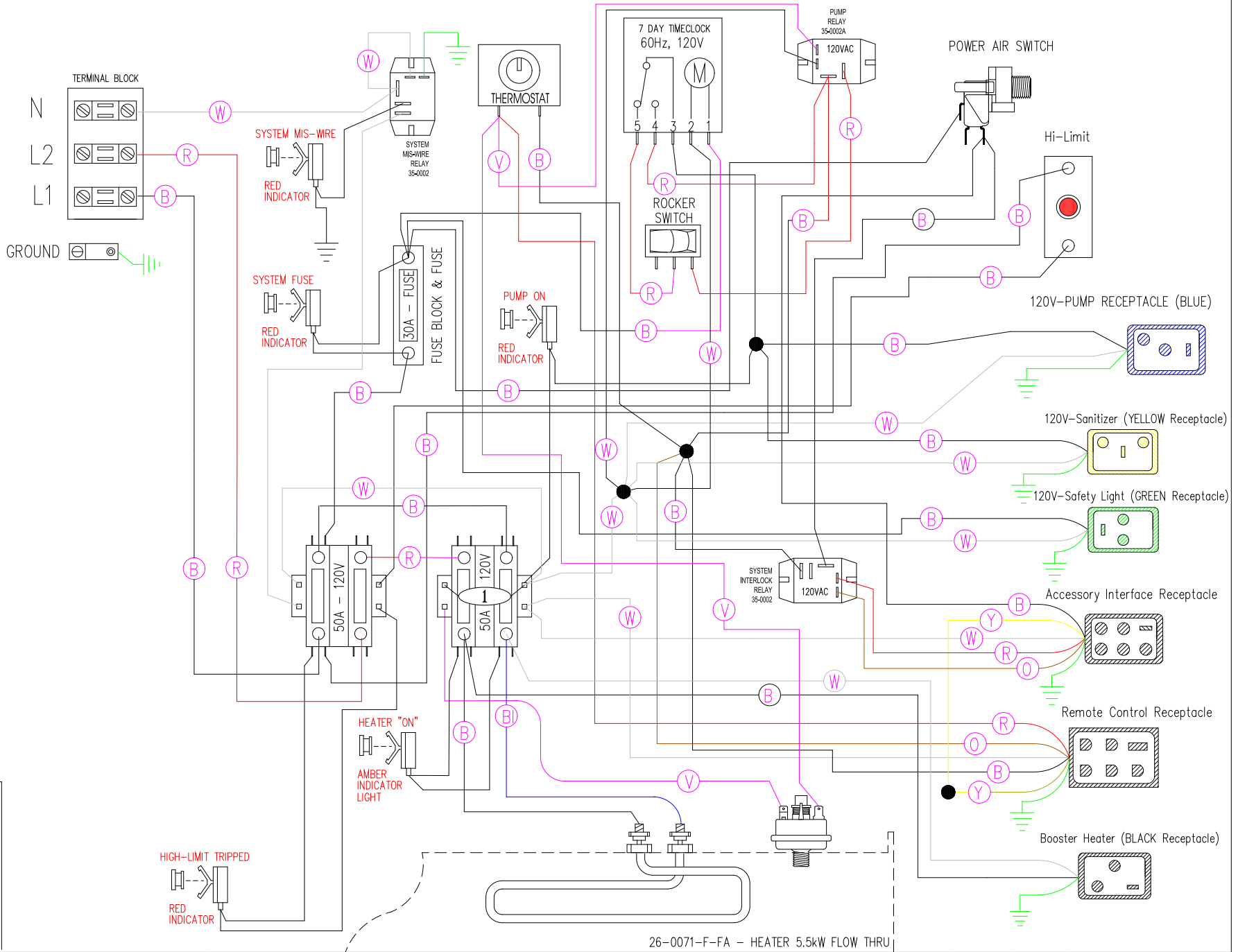


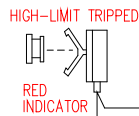
USE COPPER
CONDUCTORS
ONLY



26-0071-F-FA - HEATER 5.5kW FLOW THRU

VDS CONFIGURATION

- HEATER "ON"
- PUMP "ON"
- CHECK SYSTEM FUSE
- HIGH-LIMIT TRIPPED
- SYSTEM MIS-WIRE



Manufacture Notes:

Dwg. No. 10000-HKQTY-J	Drawn MO	Rev 02	Wire Color Code B - Black G - Green Br - Brown Bl - Blue R - Red V - Violet O - Orange W - White Y - Yellow Gr - Gray
Date 06.18.14			
Diagram No. 2025			