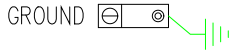
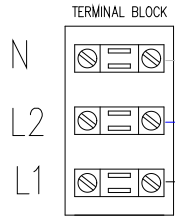
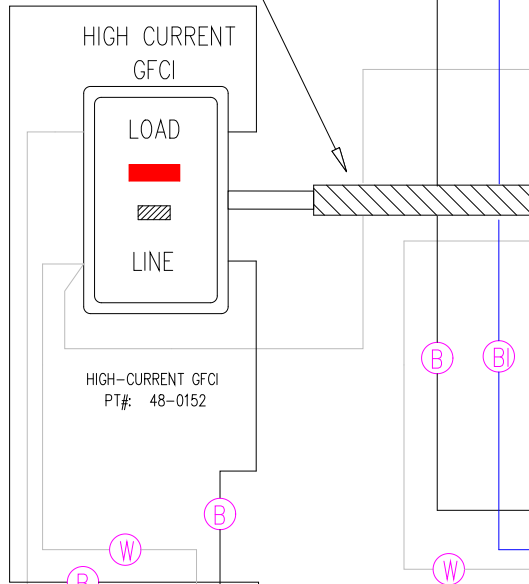


USE COPPER
CONDUCTORS
ONLY



GFCI LOOP

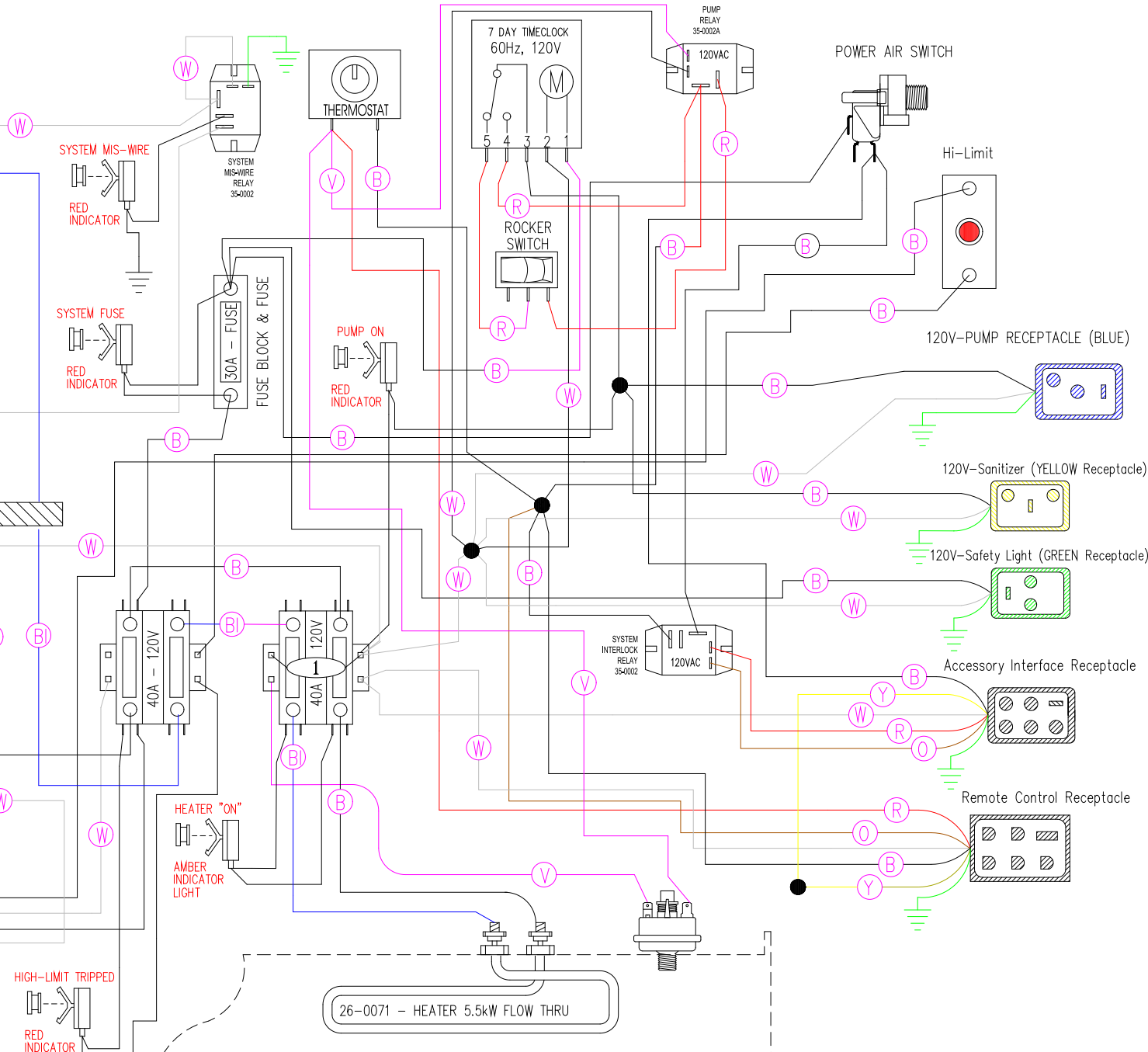


HIGH-CURRENT GFCI
PT#: 48-0152

VDS CONFIGURATION

- HEATER "ON"
- PUMP "ON"
- CHECK SYSTEM FUSE
- HIGH-LIMIT TRIPPED
- SYSTEM MIS-WIRE

Manufacture Notes:



Dwg. No. 10000-HKQTY-J	Drawn MBS	Rev 04	Wire Color Code B - Black G - Green Br - Brown Bl - Blue R - Red V - Violet O - Orange W - White Y - Yellow Gr - Gray
Date 01.09.14			
Diagram No. 2016			