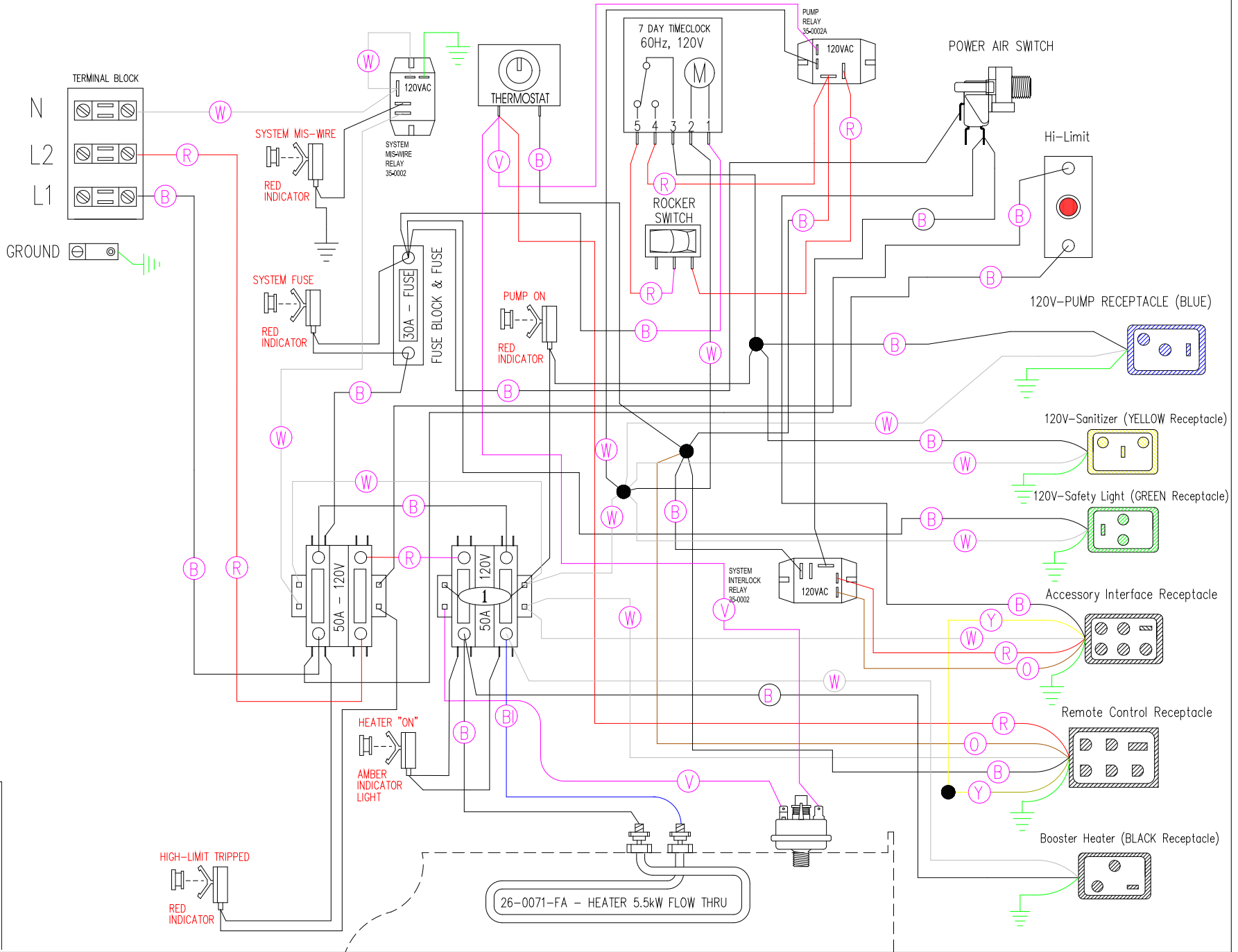


USE COPPER CONDUCTORS ONLY



VDS CONFIGURATION

- HEATER "ON"
- PUMP "ON"
- CHECK SYSTEM FUSE
- HIGH-LIMIT TRIPPED
- SYSTEM MIS-WIRE

Manufacture Notes:

| | | | |
|---------------------------|--------------|-----------|---|
| Dwg. No. 10000-HKQTY-J | Drawn MBS | Rev 06 | Wire Color Code B - Black G - Green Br - Brown Bl - Blue R - Red V - Violet O - Orange W - White Y - Yellow Gr - Gray |
| Date 06.18.14 | | | |
| Diagram No. 2015 | | | |