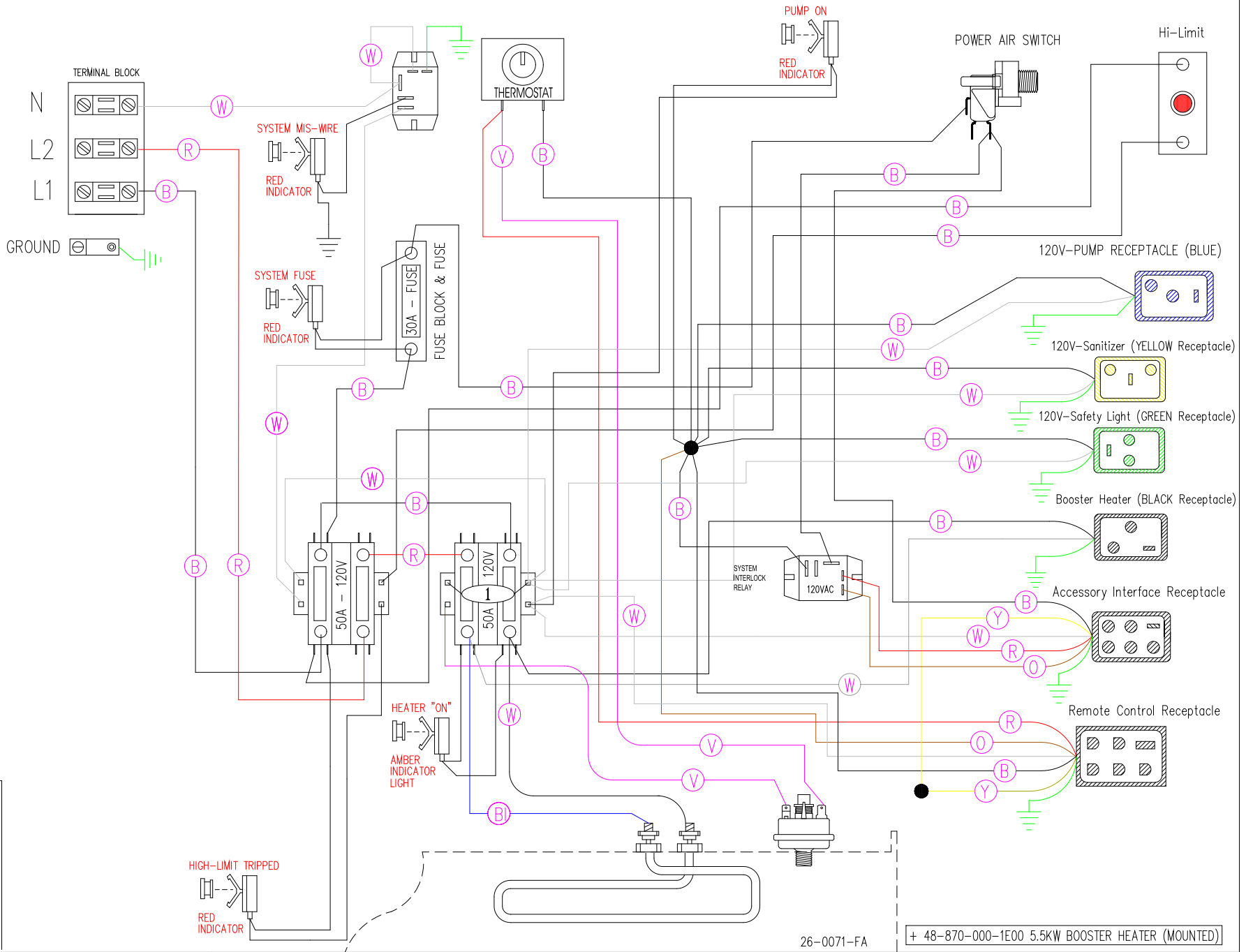
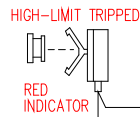


USE COPPER CONDUCTORS ONLY



VDS CONFIGURATION

- HEATER "ON"
- PUMP "ON"
- CHECK SYSTEM FUSE
- HIGH-LIMIT TRIPPED
- SYSTEM MIS-WIRE



26-0071-FA

+ 48-870-000-1E00 5.5KW BOOSTER HEATER (MOUNTED)

Manufacture Notes:

Dwg. No. 10000-HKQTY-J	Drawn MBS	Rev 05	Wire Color Code B - Black G - Green Br - Brown Bl - Blue R - Red V - Violet O - Orange W - White Y - Yellow Gr - Gray
Date 06.16.14			
Diagram No. 2014			