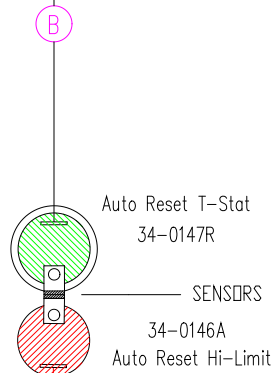
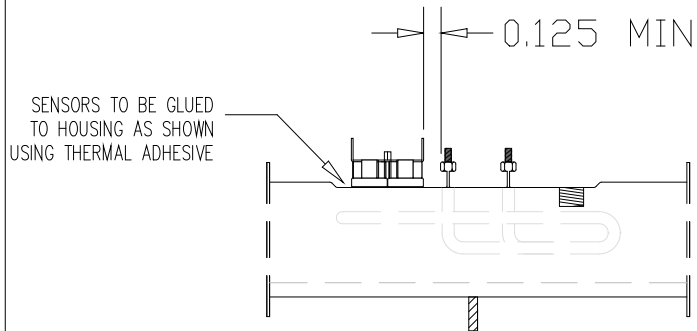
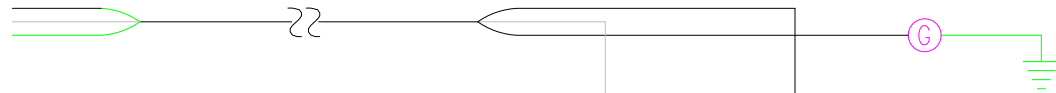
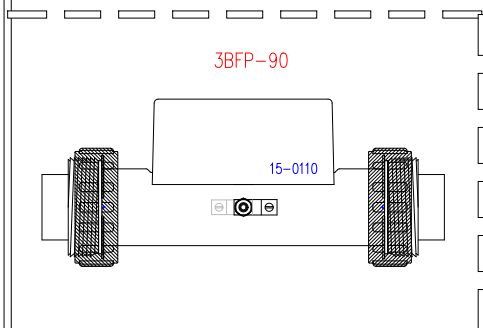
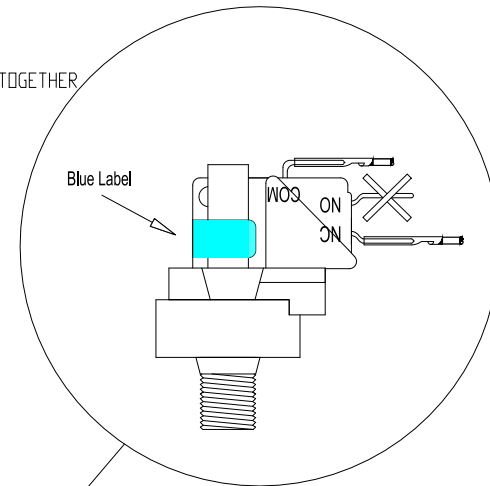


30-0054
3 FOOT POWER CORD 16/3 - SJT



Amber Indicator Light



INLINE HEATER
2.0kW @ 240V

48-V220M
13-0030 / 12-0204

VACUUM SWITCH
34-0069C

Manufacture Notes:

HYDRO-QUIP
CORONA, CA (951) 273-7575

Drawn	MBS	Rev	1
Date	07.03.07		
Diagram No.	1365		

Wire Color Code	
B - Black	G - Green
Br - Brown	Bl - Blue
R - Red	V - Violet
O - Orange	W - White
Y - Yellow	Gr - Gray