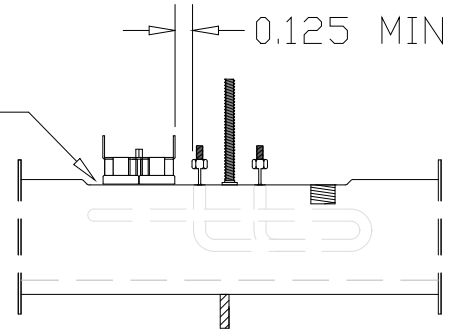


30-0054  
3 FOOT POWER CORD 16/3 - SJT

SENSORS TO BE GLUED TO HOUSING AS SHOWN USING THERMAL ADHESIVE

0.125 MIN



W

B

G

Auto Reset T-Stat  
34-0147R

34-0146A  
Auto Reset Hi-Limit

37-0020C  
Amber Indicator Light

R

Yellow Label

NO  
NC

48-3BFP-80

15-0110

INLINE HEATER  
2.0kW @ 240V

B

PRESSURE SWITCH  
34-0148A

48-P220M-RH  
26-0018M-RH

HYDRO-QUIP  
CORONA, CA (951) 273-7575

Manufacture Notes:

Drawn MBS	Rev 3	Wire Color Code	
Date 07.16.10		B - Black	G - Green
Diagram No. 1361		Br - Brown	Bl - Blue
		R - Red	V - Violet
		O - Orange	W - White
		Y - Yellow	Gr - Gray