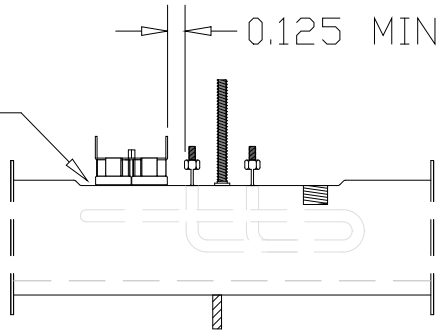
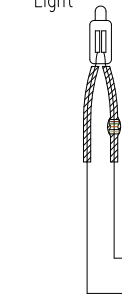


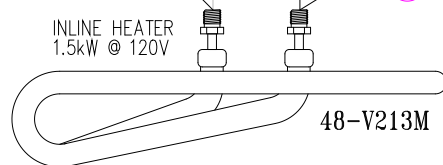
SENSORS TO BE GLUED TO HOUSING AS SHOWN USING THERMAL ADHESIVE



37-0020C
Amber Indicator Light



INLINE HEATER
1.5kW @ 120V



B

W

Auto Reset T-Stat
34-0147R

SENSORS SOLDERED TOGETHER

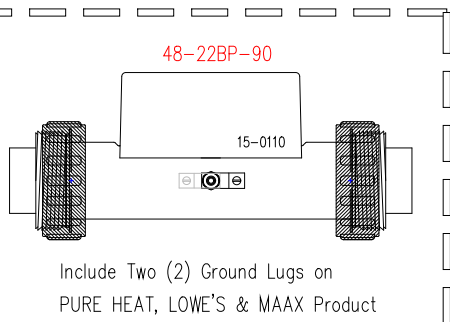
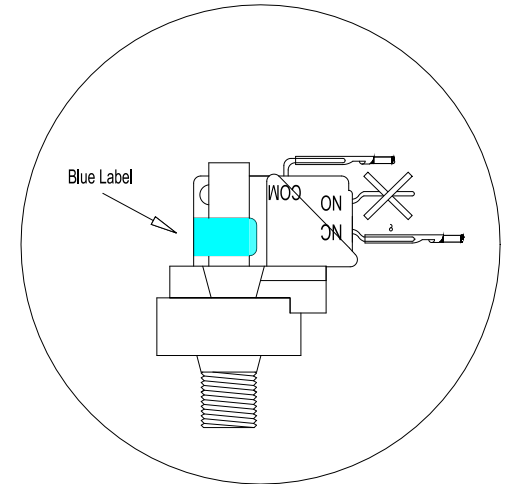


34-0146A
Auto Reset Hi-Limit

R

VACUUM SWITCH
34-0069C

B



Manufacture Notes:

HYDRO-QUIP
CORONA, CA (951) 273-7575

Drawn MBS	Rev 2	Wire Color Code	
Date 08.27.08		B - Black	G - Green
Diagram No. 1343S		Br - Brown	Bl - Blue
		R - Red	V - Violet
		O - Orange	W - White
		Y - Yellow	Gr - Gray