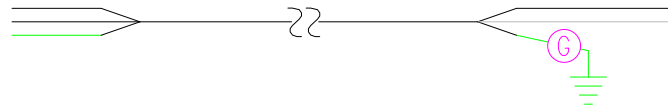


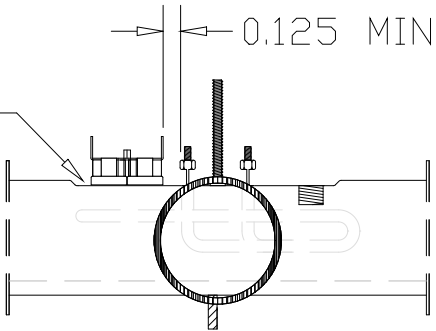
3 FOOT 16/3 SJT CORD
30-0054



W

B

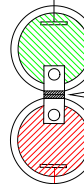
SENSORS TO BE GLUED TO HOUSING AS SHOWN USING THERMAL ADHESIVE



0.125 MIN

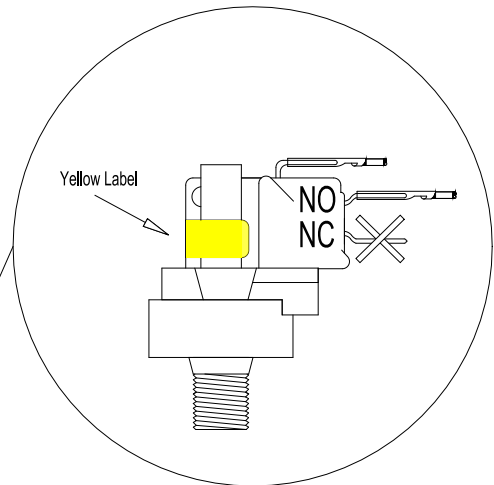
Auto Reset T-Stat
34-0147R

SENSORS SOLDERED TOGETHER



34-0146A
Auto Reset Hi-Limit

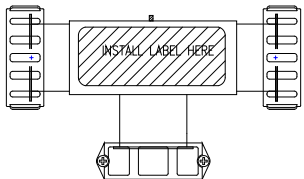
R



Yellow Label

NO
NC

48-FBFB-81



42-0014WW Split-Nut

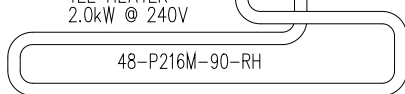
Amber Indicator Light



TEE HEATER
2.0kW @ 240V

B

PRESSURE SWITCH
34-0148A



48-P216M-90-RH

Manufacture Notes:

HYDRO-QUIP
CORONA, CA (951) 273-7575

Drawn	MBS	Rev	2
Date	01.30.09		
Diagram No.	1342		

Wire Color Code	
B - Black	G - Green
Br - Brown	Bl - Blue
R - Red	V - Violet
O - Orange	W - White
Y - Yellow	Gr - Gray