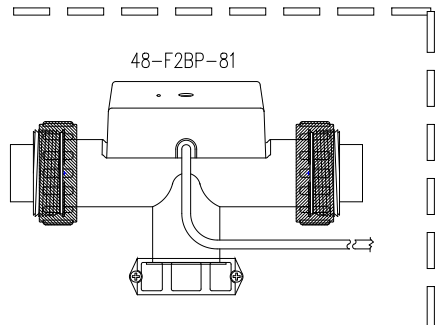
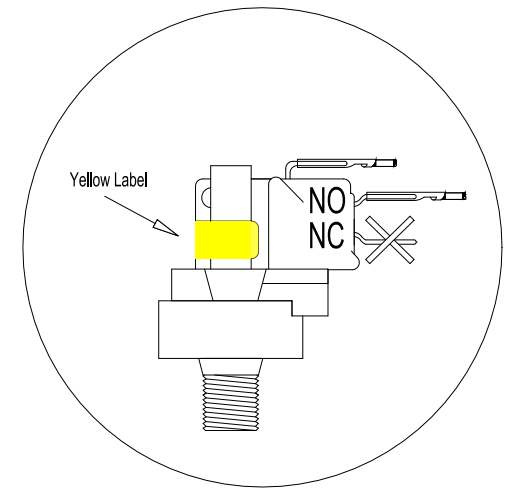
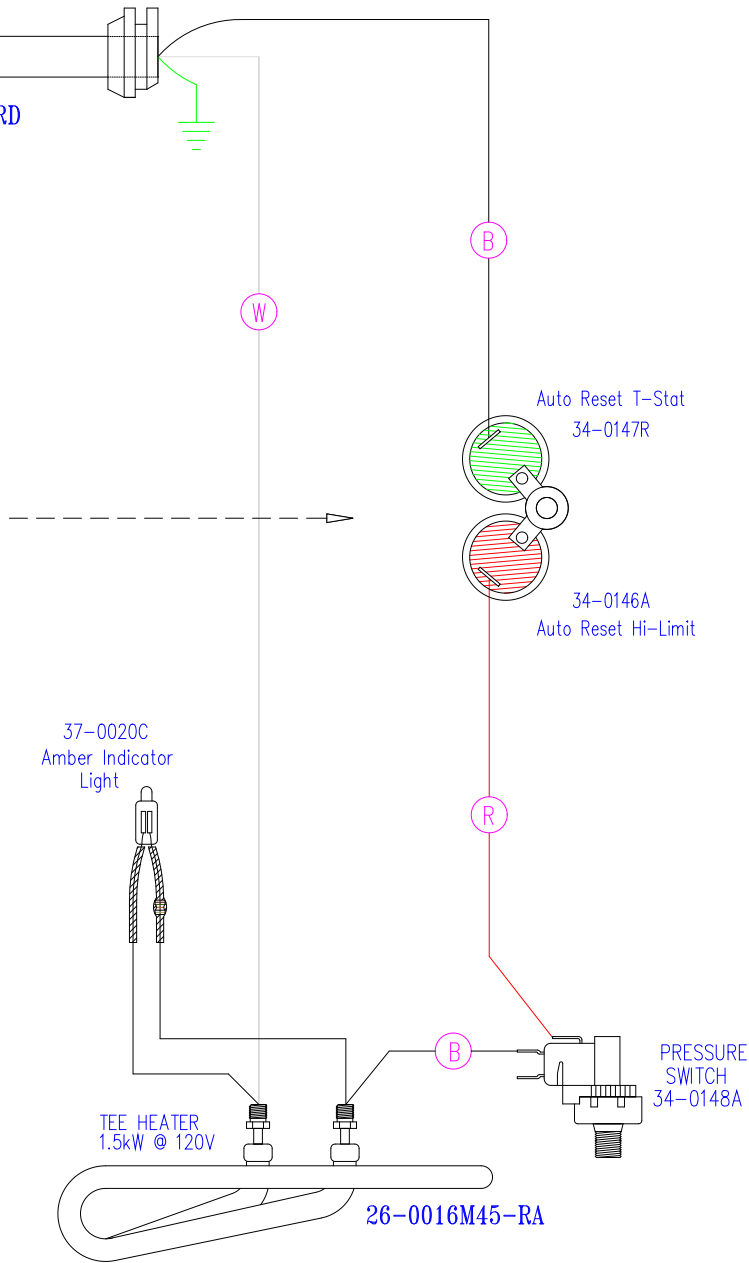
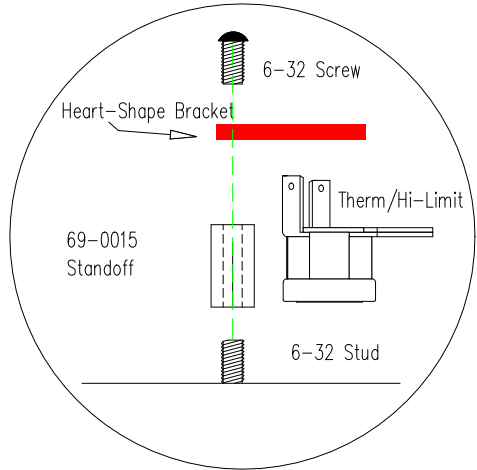


30-0057M-B
3 FOOT 15 AMP POWER CORD



Manufacture Notes:

HYDRO-QUIP
CORONA, CA (951) 273-7575

Drawn GC	Rev 2	Wire Color Code	
Date 04.03.07		B - Black	G - Green
Diagram No. 1339		Br - Brown	Bl - Blue
		R - Red	V - Violet
		O - Orange	W - White
		Y - Yellow	Gr - Gray