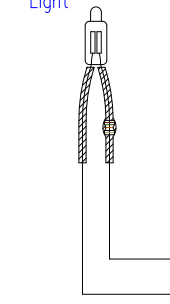
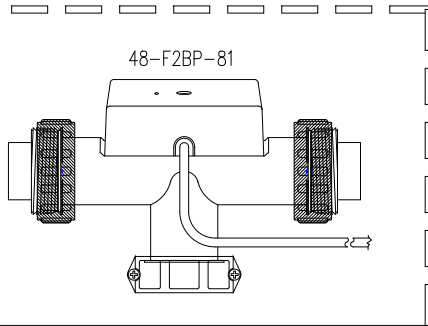
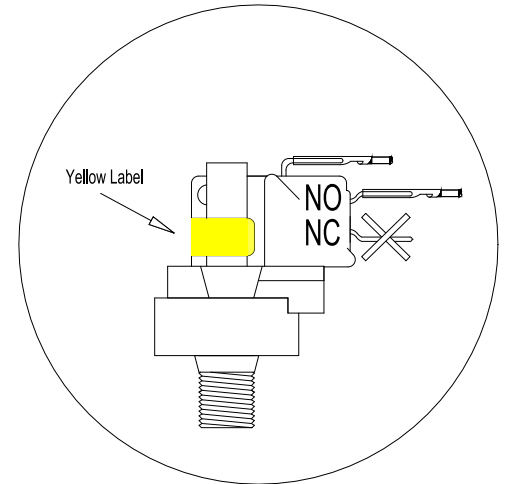
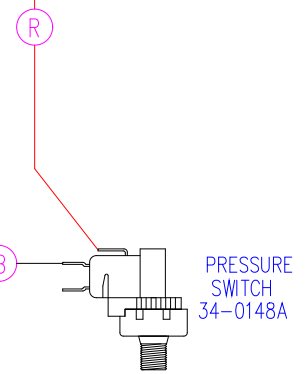


37-0020C
Amber Indicator
Light



TEE HEATER
1.5kW @ 120V

26-0016M45-RA



Manufacture Notes:

HYDRO-QUIP
CORONA, CA (951) 273-7575

Drawn MBS	Rev 1	Wire Color Code	
Date 07.27.09		B - Black	G - Green
Diagram No. 1339N		Br - Brown	Bl - Blue
		R - Red	V - Violet
		O - Orange	W - White
		Y - Yellow	Gr - Gray